

# **ETHER NDE**

## ***The Eddy Current Probe & Accessories Catalogue***

***December 2021 - Version 7.8***



**Tel: +44 (0) 1727 648050**  
**Email: [sales@ethernde.com](mailto:sales@ethernde.com)**  
**Web: [www.ethernde.com](http://www.ethernde.com)**



# Contents

Contents .....	2
Introduction.....	4
ETher NDE Instrument Probe Connector Details.....	6
WeldCheck – WeldCheck2 – WeldCheck+ - AeroCheck – AeroCheck2 - AeroCheck+: .....	6
ETi – High End Eddy Current Flaw Detector:.....	6
SigmaCheck – SigmaCheck2 Conductivity Meter:.....	6
EmbedEC - USB Embedded Eddy Current Solution: .....	7
Victor2.2D – Mains Powered Eddy Current Automated Inspection Instrument: .....	7
VeeScan Model H – Automated Eddy Current Wheel Inspection System: .....	8
Pencil Probes (Double Shielded) – Absolute/Bridge .....	9
Straight - Absolute with plastic handle coding: .....	10
Straight – Bridge (IB Tech Inside) with plastic handle coding:.....	11
90deg Tip - Absolute with plastic handle coding:.....	12
90deg Tip - Bridge (IB Tech Inside) with plastic handle coding:.....	15
45deg Crank – Absolute with plastic handle coding:.....	18
45deg Crank – Bridge (IB Tech Inside) with plastic handle coding:.....	19
15deg Crank 90deg Tip - Absolute with plastic handle coding: .....	20
15deg Crank 90deg Tip - Bridge (IB Tech Inside) with plastic handle coding: .....	23
Pencil Probe (Unshielded) - Absolute .....	26
Thread Inspection Probes (Unshielded) - Absolute .....	27
Pencil Type .....	27
Straight - External Threads (Bolts).....	28
90deg Crank - External and Internal Threads (Bolts and Nuts).....	29
65deg Crank – Internal Thread (Nuts).....	29
Saddle and Plug - Thread Inspection Probes .....	30
Broad Band Probes – Absolute/Bridge.....	31
Rotating Probes - Reflection.....	33
Rigid Stainless Steel Coding.....	34
Delrin Flexible Coding .....	36
Manual Bolt Hole Probes - Absolute .....	37
Standard Weld Probes - Bridge.....	39
Disconnect Weld Probes - Bridge .....	41
Under Water Weld Probes - Bridge .....	42
High Temp Ceramic Tipped Weld Probes - Bridge.....	43
Stainless Steel Tipped Weld Probes - Bridge .....	43
Miniature Weld Probes - Bridge .....	44
Weld Probe Kits .....	45
Weld Probe Standard Kit to fit WeldCheck/AeroCheck Range: .....	45
Weld Probe Advanced Kit to fit WeldCheck/AeroCheck Range: .....	45
Internal Diameter (ID) Probes - Bridge.....	46
Spot Face Low Frequency Probes.....	51
Flat Surface Probes.....	53
Large Encircling Probes .....	54
Round Encircling Probes and Wear Guides.....	55
Square Encircling Probes and Wear Guides .....	56
Small Encircling Probes .....	58
VeeScan Probes – Bridge .....	59

Sliding Probes – Dual Element .....	60
Low Frequency Fastener Inspection Probes .....	61
Rail Inspection Probes .....	62
SigmaCheck Conductivity Probe .....	63
AeroCheck+ Conductivity Probe .....	64
Rotating Drive.....	65
Test Blocks.....	66
General Purpose with Slots .....	66
Weld Probe Test Block.....	66
Weld Probe Demo Crack Specimen .....	67
Rotating Probe Test Block .....	68
Rotating Probe Test Blocks – Multi Hole.....	69
Split Conical Calibration Blocks.....	70
Surface Probe Test Block.....	71
Bond-Testing Pitch-Catch Probe Delrin Coupon.....	71
Bond Testing Modified Boeing ST8871D Composite Test Block.....	72
Conductivity Test Blocks.....	73
Probe Leads.....	74
Probe Adapters .....	75
Probe Tape .....	76
Balance Loads .....	76
Probe and Instrument Cases.....	77
Probe Case: .....	77
Protective/Splash Proof Instrument Case: .....	77
Instrument Soft Carry Case:.....	78
Instrument Hard Carry Case: .....	78
Other Instrument Accessories: .....	79
Probe Kits .....	80
Weld Probe Kit to fit WeldCheck/AeroCheck Range:.....	80
Weld Probe Advanced Kit to fit WeldCheck/AeroCheck Range: .....	80
Surface Probe Kit to fit WeldCheck/AeroCheck Range:.....	81
Sub Surface Probe Kit to fit WeldCheck/AeroCheck Range:.....	81
Rotary Drive Kit to fit AeroCheck – AeroCheck2 – AeroCheck+: .....	81
NIST Conductivity Probe Kit to fit WeldCheck+ – AeroCheck+: .....	82
NPL Conductivity Probe Kit to fit WeldCheck+ – AeroCheck+:.....	83
ETHer NDE Eddy Current Product Range and Features Explained.....	84
Also Available.....	85
Special Probe Design Check List.....	86



**Address:**

**ETHer NDE,  
Endeavour House,  
Unit 18 Brick Knoll Park,  
St Albans,  
Hertfordshire,  
AL1 5UG.  
UK**

## ***Introduction***

### **What does ETher NDE do?**

We are a dedicated manufacturer of Eddy Current (ECT) non-destructive testing (NDT) equipment, probes and accessories and the 'go to' company for all your Eddy Current (EC) NDT solutions.

ETher NDE is based in St Albans, Hertfordshire, UK and has many distributors worldwide. If you would like to [learn more about NDT](#) and [learn more about Eddy current NDT](#), then please go to our website [www.ethernde.com](http://www.ethernde.com).

### **Why do we do what we do?**

ETher NDE believes that our customers deserve the best: the best Eddy Current equipment, the best Eddy Current probes, the best Eddy Current knowledge and the best service. We know that the Eddy Current NDT market is very specialised so we strive to give our customers the highest level of Eddy Current expertise.

You won't find us diverting away to the more common NDT methods any time soon so we really are the market leaders for Eddy Current NDT knowledge. We are determined to continuously make sure that, as well as offering Eddy Current NDT equipment and probes, we are on hand to help with application problems and challenges. Our team thrives on a challenge.

### **Where did ETher NDE start?**

Mike Reilly and John Hansen founded ETher NDE Ltd on 1<sup>st</sup> January 2010.

Mike was previously Group Managing Director of Sonatest PLC from 1989 to 2009, during which time the group grew from a \$2m to \$25m business.

John was Senior Staff Engineer for Eddy Current NDT at GE Inspection Technologies, St Albans, UK (previously Hocking NDT).

John is the immediate past Chairman of the BINDT Trade Group as well as being a BINDT Council Member, BINDT UK Engineering Council Representative and ordinary member of various other committees and for ASTM he serves on the Electromagnetic and DICONDE Committees (where he is the Eddy Current Technical Contact).

John's Eddy Current NDT wealth of knowledge and passion is well regarded in the industry and this, teamed with Mike's overall NDT market expertise, has allowed ETher NDE to be built on a very solid foundation.

With a combined industry experience of nearly 70 years, Mike and John quickly built a team based on non-destructive testing knowledge, passion and skill.

### **Who is ETher NDE?**

Many of the ETher NDE team members, including John Hansen, have worked together previously as part of Hocking. Collectively we have over 150 years of non-destructive testing experience making us a strong Eddy Current specialist team.

If you want honest answers from knowledgeable, down to earth Eddy Current NDT specialists then ETher NDE is the company for you. If you give us a call, you'll go straight to Karen, who alone is an absolute fountain of product knowledge. She'll be able to direct you to the right team member for your question. Within the ETher NDE offices we house the Hardware, Software, Applications, Probe Manufacturing, Electronics, Sales and Marketing teams so you will be sure to get the correct person for your needs.

Ultimately we like to keep it simple at ETher; the ability to speak to someone as soon as possible that can give knowledgeable answers to your questions.

### **What do we stand for? What can we offer you?**

ETher NDE was founded on three core principles and to this day they are still what we operate in line with every day. They are:

- 1. The ability to speak to someone who understands our product, the industry and your applications.**
- 2. Industry leading delivery on equipment and probes and the ability to respond to your challenges.**
- 3. Our products are second to none in both performance and quality.**

We are proud to offer Eddy Current NDT solutions to the industry backed up by a wealth of knowledge, with great customer service from real people who care and are passionate about what they do.

## ***ETher NDE Instrument Probe Connector Details***

All of the below instruments use the same industry standard Lemo Coaxial connector for Absolute probes and Lemo 12-Way connector for Bridge and Reflection probes.

### ***WeldCheck – WeldCheck2 – WeldCheck+ - AeroCheck – AeroCheck2 - AeroCheck+:***

Absolute probes  
– Lemo Coaxial

Absolute, Bridge and  
Reflection probes  
– Lemo 12-Way



### ***ETi – High End Eddy Current Flaw Detector:***

Bridge and Reflection probes  
– Lemo 12-Way

Absolute probes –  
Lemo Coaxial



### ***SigmaCheck – SigmaCheck2 Conductivity Meter:***

This instrument uses a Lemo 5-Way connector for all conductivity probes.



### ***EmbedEC - USB Embedded Eddy Current Solution:***

This instrument uses a Lemo 7-Way connector for Bridge and Reflection probes.



**Typical leads to fit above instrument:**

ETHer NDE Part No.	Description	Length	Configuration
<b>ALL07-L04-015-EEC-B</b>	Accessory, Lead, Lemo 7-Way - Lemo 4-Way, 1.5m, To fit EmbedEC (Bridge)	1.5m	Bridge
<b>ALL07-L04-015-EEC-R</b>	Accessory, Lead, Lemo 7-Way - Lemo 4-Way, 1.5m, To fit EmbedEC (Reflection)	1.5m	Reflection

### ***Victor2.2D – Mains Powered Eddy Current Automated Inspection Instrument:***

This instrument uses the industry standard Lemo Coaxial connector for Absolute probes and Lemo 12-Way connector for Bridge and Reflection probes



## ***VeeScan Model H – Automated Eddy Current Wheel Inspection System:***

This automated inspection systems uses a Lemo 4-Way connector on the wheel inspection probe and a Lemo 12-Way connector on the AeroCheck+ instrument.



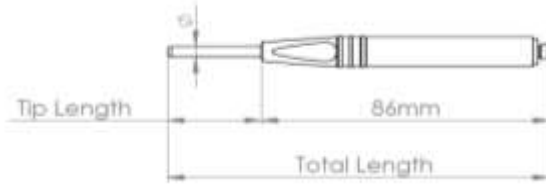
**Lead to fit above system:**

ETHer NDE Part No.	Description	Length	Configuration
<b>ALL12R-L04-025B</b>	Accessory, Lead, Lemo 12-Way (90 deg) - Lemo 4-Way, 2.5m (Bridge)	2.5m	Bridge

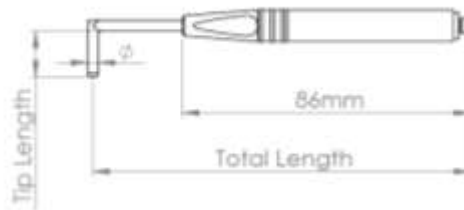


## ***Pencil Probes (Double Shielded) – Absolute/Bridge***

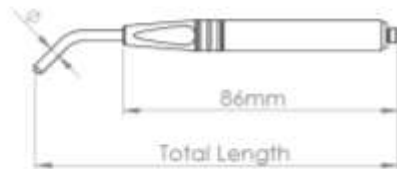
### **Straight with plastic handle**



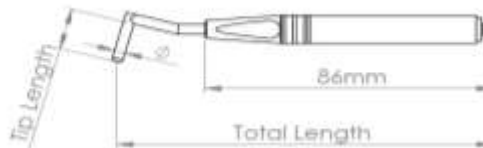
### **90deg Tip with plastic handle**



### **45deg Crank with plastic handle**



### **15deg Crank, 90deg Tip**



### **Application:**

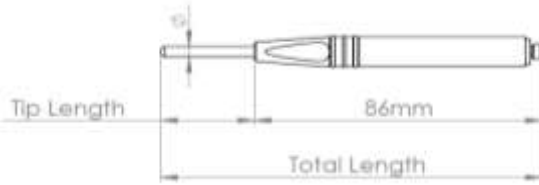
**Absolute Pencil probes** - for general purpose inspection of surface breaking defects and metallurgy variations, uses Micro connector.

**Bridge Pencil probes** – ETher NDE newly developed “IB Tech Inside “ absolute intrinsically balanced technology which further improves the signal to noise ratio of conventional absolute probes giving a significant improvement in inspection reliability, uses Lemo 4-Way connector.

### **Specification:**

- Double Shielded, used on Fe & NFe applications, Disconnectable
- Non Magnetic Stainless Steel Shanks - Straight, 90deg Tip, 45deg Crank, 15deg crank + 90deg Tip
- Plastic Handle with finger scallops and neoprene grip
- Connector – Micro for absolute and Lemo 4-Way for bridge (IB Tech Inside)
- Centre frequency/Operating range – 200kHz (50kHz – 600kHz), 500kHz (150kHz – 1.5MHz), 2MHz – (650kHz – 6MHz), 6MHz – (2MHz – 18MHz)

**Straight - Absolute with plastic handle coding:**



**Standard**

ETHer NDE Part No.	Centre Frequency	Tip Length (Total Length)	ØTip	Type
<b>Probe, Shielded, Plastic Handle, Straight:</b>				
<b>PS200PS028-114N</b>	200kHz	28mm Tip Length (Total Length 114mm, 4.5") (Straight Shank)	4.45	Absolute
<b>PS200PS028-114F</b>	200kHz	28mm Tip Length (Total Length 114mm, 4.5") (Straight Shank)	3.30 (Fine)	Absolute
<b>PS500PS028-114N</b>	500kHz	28mm Tip Length (Total Length 114mm, 4.5") (Straight Shank)	4.45	Absolute
<b>PS500PS028-114F</b>	500kHz	28mm Tip Length (Total Length 114mm, 4.5") (Straight Shank)	3.30 (Fine)	Absolute
<b>PS002PS028-114N</b>	2MHz	28mm Tip Length (Total Length 114mm, 4.5") (Straight Shank)	3.30	Absolute
<b>PS002PS028-114F</b>	2MHz	28mm Tip Length (Total Length 114mm, 4.5") (Straight Shank)	2.34 (Fine)	Absolute
<b>PS006PS028-114N</b>	6MHz	28mm Tip Length (Total Length 114mm, 4.5") (Straight Shank)	2.34	Absolute
Please see matrix below for other options, specials available on request.				

**Other**

**Straight Probe Example: PS200PS028-114N**

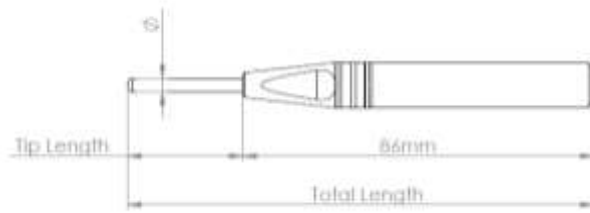
PS	Centre Frequency	Handle	Tip Type	Tip Length (mm) - Total Length (mm)	Tip Diameter (mm)
<b>PS</b>	<b>200</b>	<b>P</b>	<b>S</b>	<b>028-114</b>	<b>N</b>
	200 = 200kHz	Plastic	Straight	028-114 = Tip Length 28mm - Total Length 114mm (4.5")	N = Normal (200kHz = Dia 4.45mm)
	500 = 500kHz			048-127 = Tip Length 48mm - Total Length 127mm (5.0")	N = Normal(500kHz = Dia 4.45mm)
	002 = 2MHz			066-152 = Tip Length 66mm - Total Length 152mm (6.0")	N = Normal(2MHz = Dia 3.30mm)
	006 = 6MHz			117-203 = Tip Length 117mm - Total Length 203mm (8.0")	N = (6MHz = Dia 2.34mm)
				168-254 = Tip Length 168mm - Total Length 254mm (10.0")	F = Fine(200k = Dia 3.30mm)
				219-305 = Tip Length 219mm - Total Length 305mm (12.0")	F = Fine(500kHz = Dia 3.30mm)
					F = Fine(2MHz = Dia 2.34mm)

Other variants available on request.

**Leads to fit above probes:**

ETHer NDE Part No.	Description	Instrument	Connector Instrument End	Connector Probe End	Cable Length	Configuration
<b>ALLCX-M02-015A</b>	Lead	WeldCheck/AeroCheck/Vantage/ETi	Lemo Coaxial	Micro Plug	1.5m	Absolute
<b>ALL12-M02-015A</b>	Lead	WeldCheck/AeroCheck/Hocking	Lemo 12-Way	Micro Plug	1.5m	Absolute
<b>ALL07-M02-015A</b>	Lead	Hocking	Lemo 7-Way	Micro Plug	1.5m	Absolute
<b>ALB02-M02-015A</b>	Lead	Various	BNC Plug	Micro Plug	1.5m	Absolute

**Straight – Bridge (IB Tech Inside) with plastic handle coding:**



**Standard**

ETHer NDE Part No.	Centre Frequency	Tip Length (Total Length)	ØTip	Type
<b>Probe, Shielded, Plastic Handle, Straight:</b>				
<b>PS200PS028-114NB</b>	200kHz	28mm Tip Length (Total Length 114mm, 4.5") (Straight Shank)	4.45	Bridge
<b>PS200PS028-114FB</b>	200kHz	28mm Tip Length (Total Length 114mm, 4.5") (Straight Shank)	3.30 (Fine)	Bridge
<b>PS500PS028-114NB</b>	500kHz	28mm Tip Length (Total Length 114mm, 4.5") (Straight Shank)	4.45	Bridge
<b>PS500PS028-114FB</b>	500kHz	28mm Tip Length (Total Length 114mm, 4.5") (Straight Shank)	3.30 (Fine)	Bridge
<b>PS002PS028-114NB</b>	2MHz	28mm Tip Length (Total Length 114mm, 4.5") (Straight Shank)	3.30	Bridge
<b>PS002PS028-114FB</b>	2MHz	28mm Tip Length (Total Length 114mm, 4.5") (Straight Shank)	2.34 (Fine)	Bridge
<b>PS006PS028-114NB</b>	6MHz	28mm Tip Length (Total Length 114mm, 4.5") (Straight Shank)	2.34	Bridge
Please see matrix below for other options, specials available on request.				

**Other**

**Straight Probe Example: PS200PS028-114NB**

PS	Centre Frequency	Handle	Tip Type	Tip Length (mm) - Total Length (mm)	Tip Diameter (mm)
<b>PS</b>	<b>200</b>	<b>P</b>	<b>S</b>	<b>028-114</b>	<b>NB</b>
	200 = 200kHz	Plastic	Straight	028-114 = Tip Length 28mm - Total Length 114mm (4.5")	NB = Normal (200kHz = Dia 4.45mm)
	500 = 500kHz			048-127 = Tip Length 48mm - Total Length 127mm (5.0")	NB = Normal (500kHz = Dia 4.45mm)
	002 = 2MHz			066-152 = Tip Length 66mm - Total Length 152mm (6.0")	NB = Normal(2MHz = Dia 3.30mm)
	006 = 6MHz			117-203 = Tip Length 117mm - Total Length 203mm (8.0")	NB = (6MHz = Dia 2.34mm)
				168-254 = Tip Length 168mm - Total Length 254mm (10.0")	FB = Fine(200k = Dia 3.30mm)
				219-305 = Tip Length 219mm - Total Length 305mm (12.0")	FB = Fine(500kHz = Dia 3.30mm)
					FB = Fine(2MHz = Dia 2.34mm)

Other variants available on request.

**Leads to fit above probes:**

ETHer NDE Part No.	Description	Instrument	Connector Instrument End	Connector Probe End	Cable Length	Configuration
<b>ALFTRI-L04-015</b>	Lead	Victor/Veritor	Fischer Triax	Lemo 4-Way Plug	1.5m	Bridge
<b>ALL12-L04-015B</b>	Lead	WeldCheck/ AeroCheck/ Vantage/ETi	Lemo 12-Way	Lemo 4-Way Plug	1.5m	Bridge
<b>ALL07-L04-015B</b>	Lead	Hocking	Lemo 7-Way	Lemo 4-Way Plug	1.5m	Bridge

**90deg Tip - Absolute with plastic handle coding:**



**Standard**

ETHer NDE Part No.	Centre Frequency	Tip Length (Total Length)	ØTip
<b>Probe, Shielded, Plastic Handle, Right angled 90deg Tip:</b>			
<b>PS200PR050-114N</b>	200kHz	5.0 (MIN) Tip Length (Total Length 114mm, 4.5") (90deg Tip Shank)	4.45
<b>PS200PR027-114F</b>	200kHz	2.7 (MIN) Tip Length (Total Length 114mm, 4.5") (90deg Tip Shank)	3.30 (Fine)
<b>PS500PR050-114N</b>	500kHz	5.0 (MIN) Tip Length (Total Length 114mm, 4.5") (90deg Tip Shank)	4.45
<b>PS500PR027-114F</b>	500kHz	2.7 (MIN) Tip Length (Total Length 114mm, 4.5") (90deg Tip Shank)	3.30 (Fine)
<b>PS002PR027-114N</b>	2MHz	2.7 (MIN) Tip Length (Total Length 114mm, 4.5") (90deg Tip Shank)	3.30
<b>PS002PR017-114F</b>	2MHz	1.7 (MIN) Tip Length (Total Length 114mm, 4.5") (90deg Tip Shank)	2.34 (Fine)
<b>PS006PR017-114N</b>	6MHz	1.7 (MIN) Tip Length (Total Length 114mm, 4.5") (90deg Tip Shank)	2.34
Please see matrix below for other options, specials available on request.			

**Other**

90deg Tip Probe Example: **PS200PR050-114N**

PS	Centre Frequency	Handle	Tip Type	Tip Length (mm) - Total Length (mm)	Tip Diameter (mm)
<b>PS</b>	<b>200</b>	<b>P</b>	<b>R</b>	<b>050-114</b>	<b>N</b>
	200 = 200kHz	Plastic	Right	050-114 = Tip Length 5mm - Total Length 114mm (4.5")	N = Normal (200kHz = Dia 4.45mm)
	500 = 500kHz		angled	050-127 = Tip Length 5mm - Total Length 127mm (5.0")	N = Normal (500kHz = Dia 4.45mm)
			90deg	050-152 = Tip Length 5mm - Total Length 152mm (6.0")	
			Tip	050-203 = Tip Length 5mm - Total Length 203mm (8.0")	
				050-254 = Tip Length 5mm - Total Length 254mm (10.0")	
				050-305 = Tip Length 5mm - Total Length 305mm (12.0")	
				064-114 = Tip Length 6.4mm - Total Length 114mm (4.5")	
				064-127 = Tip Length 6.4mm - Total Length 127mm (5.0")	
				064-152 = Tip Length 6.4mm - Total Length 152mm (6.0")	
				064-203 = Tip Length 6.4mm - Total Length 203mm (8.0")	
				064-254 = Tip Length 6.4mm - Total Length 254mm (10.0")	
				064-305 = Tip Length 6.4mm - Total Length 305mm (12.0")	
				127-114 = Tip Length 12.7mm - Total Length 114mm (4.5")	
				127-127 = Tip Length 12.7mm - Total Length 127mm (5.0")	
				127-152 = Tip Length 12.7mm - Total Length 152mm (6.0")	
				127-203 = Tip Length 12.7mm - Total Length 203mm (8.0")	
				127-254 = Tip Length 12.7mm - Total Length 254mm (10.0")	
				127-305 = Tip Length 12.7mm - Total Length 305mm (12.0")	
				190-114 = Tip Length 19.0mm - Total Length 114mm (4.5")	
				190-127 = Tip Length 19.0mm - Total Length 127mm (5.0")	

Centre Frequency	Handle	Tip Type	Tip Length (mm) - Total Length (mm)	Tip Diameter (mm)			
<b>200</b> = 200kHz <b>500</b> = 500kHz	Plastic	Right	<b>190-152</b> = Tip Length 19.0mm - Total Length 152mm (6.0")	<b>N</b> = Normal (200kHz = Dia 4.45mm)			
		angled	<b>190-203</b> = Tip Length 19.0mm - Total Length 203mm (8.0")	<b>N</b> = Normal (500kHz = Dia 4.45mm)			
		90deg	<b>190-254</b> = Tip Length 19.0mm - Total Length 254mm (10.0")				
		Tip	<b>190-305</b> = Tip Length 19.0mm - Total Length 305mm (12.0")				
			<b>245-114</b> = Tip Length 25.4mm - Total Length 114mm (4.5")				
			<b>254-127</b> = Tip Length 25.4mm - Total Length 127mm (5.0")				
			<b>254-152</b> = Tip Length 25.4mm - Total Length 152mm (6.0")				
			<b>254-203</b> = Tip Length 25.4mm - Total Length 203mm (8.0")				
			<b>254-254</b> = Tip Length 25.4mm - Total Length 254mm (10.0")				
			<b>254-305</b> = Tip Length 25.4mm - Total Length 305mm (12.0")				
		<b>200</b> = 200kHz <b>500</b> = 500kHz <b>002</b> = 2MHz	Plastic		Right	<b>027-114</b> = Tip Length 2.7mm - Total Length 114mm (4.5")	<b>F</b> = Fine (200k = Dia 3.30mm)
					angled	<b>027-127</b> = Tip Length 2.7mm - Total Length 127mm (5.0")	<b>F</b> = Fine (500kHz = Dia 3.30mm)
					90deg	<b>027-152</b> = Tip Length 2.7mm - Total Length 152mm (6.0")	<b>N</b> = Normal (2MHz = Dia 3.30mm)
					Tip	<b>027-203</b> = Tip Length 2.7mm - Total Length 203mm (8.0")	
	<b>027-254</b> = Tip Length 2.7mm - Total Length 254mm (10.0")						
	<b>027-305</b> = Tip Length 2.7mm - Total Length 305mm (12.0")						
	<b>064-114</b> = Tip Length 6.4mm - Total Length 114mm (4.5")						
	<b>064-127</b> = Tip Length 6.4mm - Total Length 127mm (5.0")						
	<b>064-152</b> = Tip Length 6.4mm - Total Length 152mm (6.0")						
	<b>064-203</b> = Tip Length 6.4mm - Total Length 203mm (8.0")						
	<b>064-254</b> = Tip Length 6.4mm - Total Length 254mm (10.0")						
	<b>064-305</b> = Tip Length 6.4mm - Total Length 305mm (12.0")						
	<b>127-114</b> = Tip Length 12.7mm - Total Length 114mm (4.5")						
	<b>127-127</b> = Tip Length 12.7mm - Total Length 127mm (5.0")						
	<b>127-152</b> = Tip Length 12.7mm - Total Length 152mm (6.0")						
	<b>127-203</b> = Tip Length 12.7mm - Total Length 203mm (8.0")						
	<b>127-254</b> = Tip Length 12.7mm - Total Length 254mm (10.0")						
	<b>127-305</b> = Tip Length 12.7mm - Total Length 305mm (12.0")						
	<b>190-114</b> = Tip Length 19.0mm - Total Length 114mm (4.5")						
	<b>190-127</b> = Tip Length 19.0mm - Total Length 127mm (5.0")						
	<b>190-152</b> = Tip Length 19.0mm - Total Length 152mm (6.0")						
	<b>190-203</b> = Tip Length 19.0mm - Total Length 203mm (8.0")						
	<b>190-254</b> = Tip Length 19.0mm - Total Length 254mm (10.0")						
	<b>190-305</b> = Tip Length 19.0mm - Total Length 305mm (12.0")						
	<b>245-114</b> = Tip Length 25.4mm - Total Length 114mm (4.5")						
	<b>254-127</b> = Tip Length 25.4mm - Total Length 127mm (5.0")						
	<b>254-152</b> = Tip Length 25.4mm - Total Length 152mm (6.0")						
	<b>254-203</b> = Tip Length 25.4mm - Total Length 203mm (8.0")						
	<b>254-254</b> = Tip Length 25.4mm - Total Length 254mm (10.0")						
	<b>254-305</b> = Tip Length 25.4mm - Total Length 305mm (12.0")						
<b>002</b> = 2MHz <b>006</b> = 6MHz	Plastic	Right	<b>027-114</b> = Tip Length 2.7mm - Total Length 114mm (4.5")	<b>F</b> = Fine (2MHz = Dia 2.34mm)			
		angled	<b>027-127</b> = Tip Length 2.7mm - Total Length 127mm (5.0")	<b>N</b> = Normal (6MHz = Dia 2.34mm)			
		90deg	<b>027-152</b> = Tip Length 2.7mm - Total Length 152mm (6.0")				
		Tip	<b>027-203</b> = Tip Length 2.7mm - Total Length 203mm (8.0")				
			<b>027-254</b> = Tip Length 2.7mm - Total Length 254mm (10.0")				
			<b>027-305</b> = Tip Length 2.7mm - Total Length 305mm (12.0")				

<b>002</b> = 2MHz	<b>Plastic</b>	<b>Right</b>	<b>064-114</b> = Tip Length 6.4mm - Total Length 114mm (4.5")	<b>F</b> = Fine (2MHz = Dia 2.34mm)
<b>006</b> = 6MHz		<b>angled</b>	<b>064-127</b> = Tip Length 6.4mm - Total Length 127mm (5.0")	<b>N</b> = Normal (6MHz = Dia 2.34mm)
		<b>90deg</b>	<b>064-152</b> = Tip Length 6.4mm - Total Length 152mm (6.0")	
		<b>Tip</b>	<b>064-203</b> = Tip Length 6.4mm - Total Length 203mm (8.0")	
			<b>064-254</b> = Tip Length 6.4mm - Total Length 254mm (10.0")	
			<b>064-305</b> = Tip Length 6.4mm - Total Length 305mm (12.0")	
<hr/>				
			<b>127-114</b> = Tip Length 12.7mm - Total Length 114mm (4.5")	
			<b>127-127</b> = Tip Length 12.7mm - Total Length 127mm (5.0")	
			<b>127-152</b> = Tip Length 12.7mm - Total Length 152mm (6.0")	
			<b>127-203</b> = Tip Length 12.7mm - Total Length 203mm (8.0")	
			<b>127-254</b> = Tip Length 12.7mm - Total Length 254mm (10.0")	
			<b>127-305</b> = Tip Length 12.7mm - Total Length 305mm (12.0")	
<hr/>				
			<b>190-114</b> = Tip Length 19.0mm - Total Length 114mm (4.5")	
			<b>190-127</b> = Tip Length 19.0mm - Total Length 127mm (5.0")	
			<b>190-152</b> = Tip Length 19.0mm - Total Length 152mm (6.0")	
			<b>190-203</b> = Tip Length 19.0mm - Total Length 203mm (8.0")	
			<b>190-254</b> = Tip Length 19.0mm - Total Length 254mm (10.0")	
			<b>190-305</b> = Tip Length 19.0mm - Total Length 305mm (12.0")	
<hr/>				
			<b>245-114</b> = Tip Length 25.4mm - Total Length 114mm (4.5")	
			<b>254-127</b> = Tip Length 25.4mm - Total Length 127mm (5.0")	
			<b>254-152</b> = Tip Length 25.4mm - Total Length 152mm (6.0")	
			<b>254-203</b> = Tip Length 25.4mm - Total Length 203mm (8.0")	
			<b>254-254</b> = Tip Length 25.4mm - Total Length 254mm (10.0")	
			<b>254-305</b> = Tip Length 25.4mm - Total Length 305mm (12.0")	

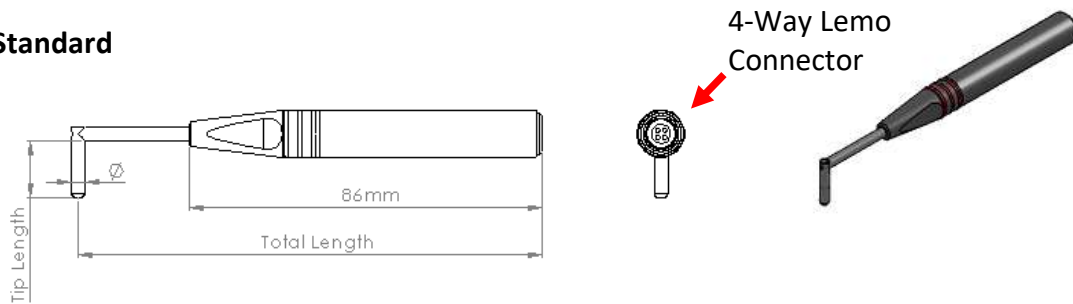
Other variants available on request.

**Leads to fit above probes:**

ETHer NDE Part No.	Description	Instrument	Connector Instrument End	Connector Probe End	Cable Length	Configuration
<b>ALLCX-M02-015A</b>	Lead	WeldCheck/ AeroCheck/ Vantage/ETi	Lemo Coaxial	Micro Plug	1.5m	Absolute
<b>ALL12-M02-015A</b>	Lead	WeldCheck/ AeroCheck/ Vantage/ETi/Hocking	Lemo 12-Way	Micro Plug	1.5m	Absolute
<b>ALL07-M02-015A</b>	Lead	Hocking	Lemo 7-Way	Micro Plug	1.5m	Absolute
<b>ALB02-M02-015A</b>	Lead	Various	BNC Plug	Micro Plug	1.5m	Absolute

## 90deg Tip - Bridge (IB Tech Inside) with plastic handle coding:

### Standard



ETHer NDE Part No.	Centre Frequency	Tip Length (Total Length)	ØTip
<b>Probe, Shielded, Plastic Handle, Right angled 90deg Tip:</b>			
<b>PS200PR050-114NB</b>	200kHz	5.0 (MIN) Tip Length (Total Length 114mm, 4.5") (90deg Tip Shank)	4.45
<b>PS200PR027-114FB</b>	200kHz	2.7 (MIN) Tip Length (Total Length 114mm, 4.5") (90deg Tip Shank)	3.30 (Fine)
<b>PS500PR050-114NB</b>	500kHz	5.0 (MIN) Tip Length (Total Length 114mm, 4.5") (90deg Tip Shank)	4.45
<b>PS500PR027-114FB</b>	500kHz	2.7 (MIN) Tip Length (Total Length 114mm, 4.5") (90deg Tip Shank)	3.30 (Fine)
<b>PS002PR027-114NB</b>	2MHz	2.7 (MIN) Tip Length (Total Length 114mm, 4.5") (90deg Tip Shank)	3.30
<b>PS002PR017-114FB</b>	2MHz	1.7 (MIN) Tip Length (Total Length 114mm, 4.5") (90deg Tip Shank)	2.34 (Fine)
<b>PS006PR017-114NB</b>	6MHz	1.7 (MIN) Tip Length (Total Length 114mm, 4.5") (90deg Tip Shank)	2.34
Please see matrix below for other options, specials available on request.			

### Other

#### 90deg Tip Probe Example: **PS200PR050-114NB**

PS	Centre Frequency	Handle	Tip Type	Tip Length (mm) - Total Length (mm)	Tip Diameter (mm)
<b>PS</b>	<b>200</b>	<b>P</b>	<b>R</b>	<b>050-114</b>	<b>NB</b>
	200 = 200kHz	Plastic	Right	050-114 = Tip Length 5mm - Total Length 114mm (4.5")	NB = Normal (200kHz = Dia 4.45mm)
	500 = 500kHz		angled	050-127 = Tip Length 5mm - Total Length 127mm (5.0")	NB = Normal (500kHz = Dia 4.45mm)
			90deg	050-152 = Tip Length 5mm - Total Length 152mm (6.0")	
			Tip	050-203 = Tip Length 5mm - Total Length 203mm (8.0")	
				050-254 = Tip Length 5mm - Total Length 254mm (10.0")	
				050-305 = Tip Length 5mm - Total Length 305mm (12.0")	
				064-114 = Tip Length 6.4mm - Total Length 114mm (4.5")	
				064-127 = Tip Length 6.4mm - Total Length 127mm (5.0")	
				064-152 = Tip Length 6.4mm - Total Length 152mm (6.0")	
				064-203 = Tip Length 6.4mm - Total Length 203mm (8.0")	
				064-254 = Tip Length 6.4mm - Total Length 254mm (10.0")	
				064-305 = Tip Length 6.4mm - Total Length 305mm (12.0")	
				127-114 = Tip Length 12.7mm - Total Length 114mm (4.5")	
				127-127 = Tip Length 12.7mm - Total Length 127mm (5.0")	
				127-152 = Tip Length 12.7mm - Total Length 152mm (6.0")	
				127-203 = Tip Length 12.7mm - Total Length 203mm (8.0")	
				127-254 = Tip Length 12.7mm - Total Length 254mm (10.0")	
				127-305 = Tip Length 12.7mm - Total Length 305mm (12.0")	
				190-114 = Tip Length 19.0mm - Total Length 114mm (4.5")	
				190-127 = Tip Length 19.0mm - Total Length 127mm (5.0")	

Centre Frequency	Handle	Tip Type	Tip Length (mm) - Total Length (mm)	Tip Diameter (mm)			
<b>200</b> = 200kHz	Plastic	Right	<b>190-152</b> = Tip Length 19.0mm - Total Length 152mm (6.0")	<b>NB</b> = Normal (200kHz = Dia 4.45mm)			
		angled	<b>190-203</b> = Tip Length 19.0mm - Total Length 203mm (8.0")				
		90deg	<b>190-254</b> = Tip Length 19.0mm - Total Length 254mm (10.0")				
		Tip	<b>190-305</b> = Tip Length 19.0mm - Total Length 305mm (12.0")				
			<b>245-114</b> = Tip Length 25.4mm - Total Length 114mm (4.5")				
			<b>254-127</b> = Tip Length 25.4mm - Total Length 127mm (5.0")				
			<b>254-152</b> = Tip Length 25.4mm - Total Length 152mm (6.0")				
			<b>254-203</b> = Tip Length 25.4mm - Total Length 203mm (8.0")				
			<b>254-254</b> = Tip Length 25.4mm - Total Length 254mm (10.0")				
			<b>254-305</b> = Tip Length 25.4mm - Total Length 305mm (12.0")				
		<b>500</b> = 500kHz	Plastic		Right	<b>027-114</b> = Tip Length 2.7mm - Total Length 114mm (4.5")	<b>FB</b> = Fine (200k = Dia 3.30mm)
					angled	<b>027-127</b> = Tip Length 2.7mm - Total Length 127mm (5.0")	
					90deg	<b>027-152</b> = Tip Length 2.7mm - Total Length 152mm (6.0")	
Tip	<b>027-203</b> = Tip Length 2.7mm - Total Length 203mm (8.0")						
	<b>027-254</b> = Tip Length 2.7mm - Total Length 254mm (10.0")						
	<b>027-305</b> = Tip Length 2.7mm - Total Length 305mm (12.0")						
	<b>064-114</b> = Tip Length 6.4mm - Total Length 114mm (4.5")						
	<b>064-127</b> = Tip Length 6.4mm - Total Length 127mm (5.0")						
	<b>064-152</b> = Tip Length 6.4mm - Total Length 152mm (6.0")						
	<b>064-203</b> = Tip Length 6.4mm - Total Length 203mm (8.0")						
	<b>064-254</b> = Tip Length 6.4mm - Total Length 254mm (10.0")						
	<b>064-305</b> = Tip Length 6.4mm - Total Length 305mm (12.0")						
<b>200</b> = 200kHz	Plastic			Right	<b>127-114</b> = Tip Length 12.7mm - Total Length 114mm (4.5")	<b>FB</b> = Fine (500kHz = Dia 3.30mm)	
		angled	<b>127-127</b> = Tip Length 12.7mm - Total Length 127mm (5.0")				
		90deg	<b>127-152</b> = Tip Length 12.7mm - Total Length 152mm (6.0")				
		Tip	<b>127-203</b> = Tip Length 12.7mm - Total Length 203mm (8.0")				
			<b>127-254</b> = Tip Length 12.7mm - Total Length 254mm (10.0")				
			<b>127-305</b> = Tip Length 12.7mm - Total Length 305mm (12.0")				
			<b>190-114</b> = Tip Length 19.0mm - Total Length 114mm (4.5")				
			<b>190-127</b> = Tip Length 19.0mm - Total Length 127mm (5.0")				
			<b>190-152</b> = Tip Length 19.0mm - Total Length 152mm (6.0")				
			<b>190-203</b> = Tip Length 19.0mm - Total Length 203mm (8.0")				
			<b>190-254</b> = Tip Length 19.0mm - Total Length 254mm (10.0")				
			<b>190-305</b> = Tip Length 19.0mm - Total Length 305mm (12.0")				
		<b>200</b> = 200kHz	Plastic	Right	<b>245-114</b> = Tip Length 25.4mm - Total Length 114mm (4.5")		<b>NB</b> = Normal (2MHz = Dia 3.30mm)
angled	<b>254-127</b> = Tip Length 25.4mm - Total Length 127mm (5.0")						
90deg	<b>254-152</b> = Tip Length 25.4mm - Total Length 152mm (6.0")						
Tip	<b>254-203</b> = Tip Length 25.4mm - Total Length 203mm (8.0")						
	<b>254-254</b> = Tip Length 25.4mm - Total Length 254mm (10.0")						
	<b>254-305</b> = Tip Length 25.4mm - Total Length 305mm (12.0")						
<b>002</b> = 2MHz	Plastic			Right	<b>027-114</b> = Tip Length 2.7mm - Total Length 114mm (4.5")	<b>FB</b> = Fine (200k = Dia 3.30mm)	
				angled	<b>027-127</b> = Tip Length 2.7mm - Total Length 127mm (5.0")		
				90deg	<b>027-152</b> = Tip Length 2.7mm - Total Length 152mm (6.0")		
				Tip	<b>027-203</b> = Tip Length 2.7mm - Total Length 203mm (8.0")		
					<b>027-254</b> = Tip Length 2.7mm - Total Length 254mm (10.0")		
					<b>027-305</b> = Tip Length 2.7mm - Total Length 305mm (12.0")		
				<b>002</b> = 2MHz	Plastic		
		angled	<b>064-127</b> = Tip Length 6.4mm - Total Length 127mm (5.0")				
		90deg	<b>064-152</b> = Tip Length 6.4mm - Total Length 152mm (6.0")				
		Tip	<b>064-203</b> = Tip Length 6.4mm - Total Length 203mm (8.0")				
			<b>064-254</b> = Tip Length 6.4mm - Total Length 254mm (10.0")				
			<b>064-305</b> = Tip Length 6.4mm - Total Length 305mm (12.0")				
		<b>006</b> = 6MHz	Plastic				Right
angled	<b>127-127</b> = Tip Length 12.7mm - Total Length 127mm (5.0")						
90deg	<b>127-152</b> = Tip Length 12.7mm - Total Length 152mm (6.0")						
Tip	<b>127-203</b> = Tip Length 12.7mm - Total Length 203mm (8.0")						
	<b>127-254</b> = Tip Length 12.7mm - Total Length 254mm (10.0")						
	<b>127-305</b> = Tip Length 12.7mm - Total Length 305mm (12.0")						
<b>002</b> = 2MHz	Plastic					Right	<b>190-114</b> = Tip Length 19.0mm - Total Length 114mm (4.5")
				angled	<b>190-127</b> = Tip Length 19.0mm - Total Length 127mm (5.0")		
				90deg	<b>190-152</b> = Tip Length 19.0mm - Total Length 152mm (6.0")		
				Tip	<b>190-203</b> = Tip Length 19.0mm - Total Length 203mm (8.0")		
					<b>190-254</b> = Tip Length 19.0mm - Total Length 254mm (10.0")		
					<b>190-305</b> = Tip Length 19.0mm - Total Length 305mm (12.0")		
				<b>006</b> = 6MHz	Plastic	Right	<b>245-114</b> = Tip Length 25.4mm - Total Length 114mm (4.5")
		angled	<b>254-127</b> = Tip Length 25.4mm - Total Length 127mm (5.0")				
		90deg	<b>254-152</b> = Tip Length 25.4mm - Total Length 152mm (6.0")				
		Tip	<b>254-203</b> = Tip Length 25.4mm - Total Length 203mm (8.0")				
			<b>254-254</b> = Tip Length 25.4mm - Total Length 254mm (10.0")				
			<b>254-305</b> = Tip Length 25.4mm - Total Length 305mm (12.0")				



<b>002</b> = 2MHz	<b>Plastic</b>	<b>Right</b>	<b>064-114</b> = Tip Length 6.4mm - Total Length 114mm (4.5")	<b>FB</b> = Fine (2MHz = Dia 2.34mm)
<b>006</b> = 6MHz		<b>angled</b>	<b>064-127</b> = Tip Length 6.4mm - Total Length 127mm (5.0")	<b>NB</b> = Normal (6MHz = Dia 2.34mm)
		<b>90deg</b>	<b>064-152</b> = Tip Length 6.4mm - Total Length 152mm (6.0")	
		<b>Tip</b>	<b>064-203</b> = Tip Length 6.4mm - Total Length 203mm (8.0")	
			<b>064-254</b> = Tip Length 6.4mm - Total Length 254mm (10.0")	
			<b>064-305</b> = Tip Length 6.4mm - Total Length 305mm (12.0")	
<hr/>				
			<b>127-114</b> = Tip Length 12.7mm - Total Length 114mm (4.5")	
			<b>127-127</b> = Tip Length 12.7mm - Total Length 127mm (5.0")	
			<b>127-152</b> = Tip Length 12.7mm - Total Length 152mm (6.0")	
			<b>127-203</b> = Tip Length 12.7mm - Total Length 203mm (8.0")	
			<b>127-254</b> = Tip Length 12.7mm - Total Length 254mm (10.0")	
			<b>127-305</b> = Tip Length 12.7mm - Total Length 305mm (12.0")	
<hr/>				
			<b>190-114</b> = Tip Length 19.0mm - Total Length 114mm (4.5")	
			<b>190-127</b> = Tip Length 19.0mm - Total Length 127mm (5.0")	
			<b>190-152</b> = Tip Length 19.0mm - Total Length 152mm (6.0")	
			<b>190-203</b> = Tip Length 19.0mm - Total Length 203mm (8.0")	
			<b>190-254</b> = Tip Length 19.0mm - Total Length 254mm (10.0")	
			<b>190-305</b> = Tip Length 19.0mm - Total Length 305mm (12.0")	
<hr/>				
			<b>245-114</b> = Tip Length 25.4mm - Total Length 114mm (4.5")	
			<b>254-127</b> = Tip Length 25.4mm - Total Length 127mm (5.0")	
			<b>254-152</b> = Tip Length 25.4mm - Total Length 152mm (6.0")	
			<b>254-203</b> = Tip Length 25.4mm - Total Length 203mm (8.0")	
			<b>254-254</b> = Tip Length 25.4mm - Total Length 254mm (10.0")	
			<b>254-305</b> = Tip Length 25.4mm - Total Length 305mm (12.0")	

Other variants available on request.

**Leads to fit above probes:**

ETHER NDE Part No.	Description	Instrument	Connector Instrument End	Connector Probe End	Cable Length	Configuration
<b>ALFTRI-L04-015</b>	Lead	Victor/Veritor	Fischer Triax	Lemo 4-Way Plug	1.5m	Bridge
<b>ALL12-L04-015B</b>	Lead	WeldCheck/ AeroCheck/ Vantage/ETi/Hocking	Lemo 12-Way	Lemo 4-Way Plug	1.5m	Bridge
<b>ALL07-L04-015B</b>	Lead	Hocking	Lemo 7-Way	Lemo 4-Way Plug	1.5m	Bridge

**45deg Crank – Absolute with plastic handle coding:**



**Standard**

ETHer NDE Part No.	Centre Frequency	Tip Length (Total Length)	ØTip	Type
<b>Probe, Shielded, Plastic Handle, Crank:</b>				
<b>PS200PC195-114N</b>	200kHz	19.5 (0.75") Tip Length (Total Length 114mm, 4.5") (45deg Crank Shank)	4.45	Absolute
<b>PS200PC195-114F</b>	200kHz	19.5 (0.75") Tip Length (Total Length 114mm, 4.5") (45deg Crank Shank)	3.30 (Fine)	Absolute
<b>PS500PC195-114N</b>	500kHz	19.5 (0.75") Tip Length (Total Length 114mm, 4.5") (45deg Crank Shank)	4.45	Absolute
<b>PS500PC195-114F</b>	500kHz	19.5 (0.75") Tip Length (Total Length 114mm, 4.5") (45deg Crank Shank)	3.30 (Fine)	Absolute
<b>PS002PC195-114N</b>	2MHz	19.5 (0.75") Tip Length (Total Length 114mm, 4.5") (45deg Crank Shank)	3.30	Absolute
<b>PS002PC195-114F</b>	2MHz	19.5 (0.75") Tip Length (Total Length 114mm, 4.5") (45deg Crank Shank)	2.34 (Fine)	Absolute
<b>PS006PC195-114N</b>	6MHz	19.5 (0.75") Tip Length (Total Length 114mm, 4.5") (45deg Crank Shank)	2.34	Absolute

Please see matrix below for other options, specials available on request.

**Other**

45deg Crank Probe Example: **PS200PC195-114N**

PS	Centre Frequency	Handle	Tip Type	Tip Length (mm) - Total Length (mm)	Tip Diameter (mm)
<b>200</b>	200kHz	<b>P</b> Plastic	<b>C</b> Crank	<b>195-114</b> = Tip Length 19.5mm - Total Length 114mm (4.5")	<b>N</b> = Normal (200kHz = Dia 4.45mm)
<b>500</b>	500kHz			<b>195-127</b> = Tip Length 19.5mm - Total Length 127mm (5.0")	<b>N</b> = Normal (500kHz = Dia 4.45mm)
<b>002</b>	2MHz			<b>195-152</b> = Tip Length 19.5mm - Total Length 152mm (6.0")	<b>N</b> = Normal (2MHz = Dia 3.30mm)
<b>006</b>	6MHz			<b>195-203</b> = Tip Length 19.5mm - Total Length 203mm (8.0")	<b>N</b> = Normal (6MHz = Dia 2.34mm)
				<b>195-254</b> = Tip Length 19.5mm - Total Length 254mm (10.0")	<b>F</b> = Fine (200k = Dia 3.30mm)
				<b>195-305</b> = Tip Length 19.5mm - Total Length 305mm (12.0")	<b>F</b> = Fine (500kHz = Dia 3.30mm)
					<b>F</b> = Fine (2MHz = Dia 2.34mm)

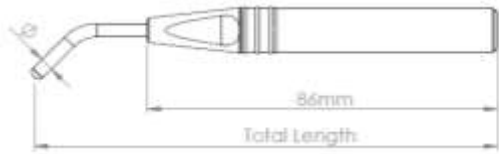
Other variants available on request.

**Leads to fit above probes:**

ETHer NDE Part No.	Description	Instrument	Connector Instrument End	Connector Probe End	Cable Length	Configuration
<b>ALLCX-M02-015A</b>	Lead	WeldCheck/ AeroCheck/ Vantage/ETi	Lemo Coaxial	Micro Plug	1.5m	Absolute
<b>ALL12-M02-015A</b>	Lead	WeldCheck/ AeroCheck/ Vantage/ETi/Hocking	Lemo 12- Way	Micro Plug	1.5m	Absolute
<b>ALL07-M02-015A</b>	Lead	Hocking	Lemo 7- Way	Micro Plug	1.5m	Absolute
<b>ALB02-M02-015A</b>	Lead	Various	BNC Plug	Micro Plug	1.5m	Absolute

**45deg Crank – Bridge (IB Tech Inside) with plastic handle coding:**

Standard



ETHer NDE Part No.	Centre Frequency	Tip Length (Total Length)	ØTip	Type
<b>Probe, Shielded, Plastic Handle, Crank:</b>				
<b>PS200PC195-114NB</b>	200kHz	19.5 (0.75") Tip Length (Total Length 114mm, 4.5") (45deg Crank Shank)	4.45	Bridge
<b>PS200PC195-114FB</b>	200kHz	19.5 (0.75") Tip Length (Total Length 114mm, 4.5") (45deg Crank Shank)	3.30 (Fine)	Bridge
<b>PS500PC195-114NB</b>	500kHz	19.5 (0.75") Tip Length (Total Length 114mm, 4.5") (45deg Crank Shank)	4.45	Bridge
<b>PS500PC195-114FB</b>	500kHz	19.5 (0.75") Tip Length (Total Length 114mm, 4.5") (45deg Crank Shank)	3.30 (Fine)	Bridge
<b>PS002PC195-114NB</b>	2MHz	19.5 (0.75") Tip Length (Total Length 114mm, 4.5") (45deg Crank Shank)	3.30	Bridge
<b>PS002PC195-114FB</b>	2MHz	19.5 (0.75") Tip Length (Total Length 114mm, 4.5") (45deg Crank Shank)	2.34 (Fine)	Bridge
<b>PS006PC195-114NB</b>	6MHz	19.5 (0.75") Tip Length (Total Length 114mm, 4.5") (45deg Crank Shank)	2.34	Bridge
Please see matrix below for other options, specials available on request.				

**Other**

45deg Crank Probe Example: **PS200PC195-114NB**

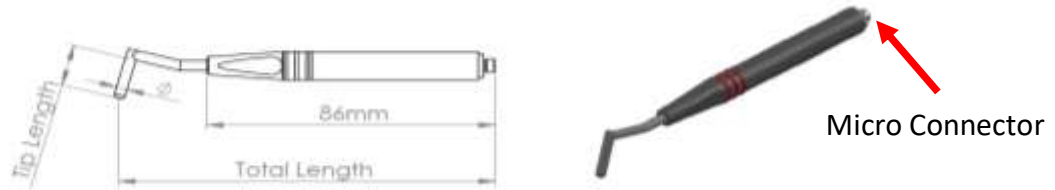
Centre Frequency	Handle	Tip Type	Tip Length (mm) - Total Length (mm)	Tip Diameter (mm)	
<b>PS</b>	<b>200</b>	<b>P</b>	<b>C</b>	<b>195-114</b>	<b>NB</b>
<b>200</b> = 200kHz	<b>Plastic</b>	<b>Crank</b>	<b>195-114</b> = Tip Length 19.5mm - Total Length 114mm (4.5")	<b>NB</b> = Normal (200kHz = Dia 4.45mm)	
<b>500</b> = 500kHz			<b>195-127</b> = Tip Length 19.5mm - Total Length 127mm (5.0")	<b>NB</b> = Normal (500kHz = Dia 4.45mm)	
<b>002</b> = 2MHz			<b>195-152</b> = Tip Length 19.5mm - Total Length 152mm (6.0")	<b>NB</b> = Normal (2MHz = Dia 3.30mm)	
<b>006</b> = 6MHz			<b>195-203</b> = Tip Length 19.5mm - Total Length 203mm (8.0")	<b>NB</b> = Normal (6MHz = Dia 2.34mm)	
			<b>195-254</b> = Tip Length 19.5mm - Total Length 254mm (10.0")	<b>FB</b> = Fine (200k = Dia 3.30mm)	
			<b>195-305</b> = Tip Length 19.5mm - Total Length 305mm (12.0")	<b>FB</b> = Fine (500kHz = Dia 3.30mm)	
				<b>FB</b> = Fine (2MHz = Dia 2.34mm)	

Other variants available on request.

**Leads to fit above probes:**

ETHer NDE Part No.	Description	Instrument	Connector Instrument End	Connector Probe End	Cable Length	Configuration
<b>ALFTRI-L04-015</b>	Lead	Victor/Veritor	Fischer Triax	Lemo 4-Way Plug	1.5m	Bridge
<b>ALL12-L04-015B</b>	Lead	WeldCheck/ AeroCheck/ Vantage/ETi/Hocking	Lemo 12-Way	Lemo 4-Way Plug	1.5m	Bridge
<b>ALL07-L04-015B</b>	Lead	Hocking	Lemo 7-Way	Lemo 4-Way Plug	1.5m	Bridge

### 15deg Crank 90deg Tip - Absolute with plastic handle coding:



#### Standard

ETHer NDE Part No.	Centre Frequency	Tip Length (Total Length)	ØTip	Type
<b>Probe, Shielded, Plastic Handle, Double crank</b>				
<b>PS200PD050-114N</b>	200kHz	5.0 (MIN) Tip Length (Total Length 114mm, 4.5") (15deg Crank, 90deg tip Shank)	4.45	Absolute
<b>PS200PD027-114F</b>	200kHz	2.7 (MIN) Tip Length (Total Length 114mm, 4.5") (15deg Crank, 90deg tip Shank)	3.30 (Fine)	Absolute
<b>PS500PD050-114N</b>	500kHz	5.0 (MIN) Tip Length (Total Length 114mm, 4.5") (15deg Crank, 90deg tip Shank)	4.45	Absolute
<b>PS500PD027-114F</b>	500kHz	2.7 (MIN) Tip Length (Total Length 114mm, 4.5") (15deg Crank, 90deg tip Shank)	3.30 (Fine)	Absolute
<b>PS002PD027-114N</b>	2MHz	2.7 (MIN) Tip Length (Total Length 114mm, 4.5") (15deg Crank, 90deg tip Shank)	3.30	Absolute
<b>PS002PD017-114F</b>	2MHz	1.7 (MIN) Tip Length (Total Length 114mm, 4.5") (15deg Crank, 90deg tip Shank)	2.34 (Fine)	Absolute
<b>PS006PD017-114N</b>	6MHz	1.7 (MIN) Tip Length (Total Length 114mm, 4.5") (15deg Crank, 90deg tip Shank)	2.34	Absolute

Please see matrix below for other options, specials available on request.

#### Other

#### 15deg Crank 90deg Tip Probe Example: **PS200PD050-114N**

PS	Centre Frequency	Handle	Tip Type	Tip Length (mm) - Total Length (mm)	Tip Diameter (mm)
<b>PS</b>	<b>200</b>	<b>P</b>	<b>D</b>	<b>050-114</b>	<b>N</b>
	200 = 200kHz	Plastic	Double	050-114 = Tip Length 5mm - Total Length 114mm (4.5")	N = Normal (200kHz = Dia 4.45mm)
	500 = 500kHz		crank	050-127 = Tip Length 5mm - Total Length 127mm (5.0")	N = Normal (500kHz = Dia 4.45mm)
				050-152 = Tip Length 5mm - Total Length 152mm (6.0")	
				050-203 = Tip Length 5mm - Total Length 203mm (8.0")	
				050-254 = Tip Length 5mm - Total Length 254mm (10.0")	
				050-305 = Tip Length 5mm - Total Length 305mm (12.0")	
				064-114 = Tip Length 6.4mm - Total Length 114mm (4.5")	
				064-127 = Tip Length 6.4mm - Total Length 127mm (5.0")	
				064-152 = Tip Length 6.4mm - Total Length 152mm (6.0")	
				064-203 = Tip Length 6.4mm - Total Length 203mm (8.0")	
				064-254 = Tip Length 6.4mm - Total Length 254mm (10.0")	
				064-305 = Tip Length 6.4mm - Total Length 305mm (12.0")	
				127-114 = Tip Length 12.7mm - Total Length 114mm (4.5")	
				127-127 = Tip Length 12.7mm - Total Length 127mm (5.0")	
				127-152 = Tip Length 12.7mm - Total Length 152mm (6.0")	
				127-203 = Tip Length 12.7mm - Total Length 203mm (8.0")	
				127-254 = Tip Length 12.7mm - Total Length 254mm (10.0")	
				127-305 = Tip Length 12.7mm - Total Length 305mm (12.0")	
				190-114 = Tip Length 19.0mm - Total Length 114mm (4.5")	
				190-127 = Tip Length 19.0mm - Total Length 127mm (5.0")	

Centre Frequency	Handle	Tip Type	Tip Length (mm) - Total Length (mm)	Tip Diameter (mm)
<b>200</b> = 200kHz	Plastic	Double	<b>190-152</b> = Tip Length 19.0mm - Total Length 152mm (6.0")	<b>N</b> = Normal (200kHz = Dia 4.45mm)
			<b>190-203</b> = Tip Length 19.0mm - Total Length 203mm (8.0")	
			<b>190-254</b> = Tip Length 19.0mm - Total Length 254mm (10.0")	
			<b>190-305</b> = Tip Length 19.0mm - Total Length 305mm (12.0")	
			<b>245-114</b> = Tip Length 25.4mm - Total Length 114mm (4.5")	
			<b>254-127</b> = Tip Length 25.4mm - Total Length 127mm (5.0")	
			<b>254-152</b> = Tip Length 25.4mm - Total Length 152mm (6.0")	
			<b>254-203</b> = Tip Length 25.4mm - Total Length 203mm (8.0")	
			<b>254-254</b> = Tip Length 25.4mm - Total Length 254mm (10.0")	
			<b>254-305</b> = Tip Length 25.4mm - Total Length 305mm (12.0")	
<b>500</b> = 500kHz	Plastic	Double	<b>027-114</b> = Tip Length 2.7mm - Total Length 114mm (4.5")	<b>F</b> = Fine (200k = Dia 3.30mm)
			<b>027-127</b> = Tip Length 2.7mm - Total Length 127mm (5.0")	
			<b>027-152</b> = Tip Length 2.7mm - Total Length 152mm (6.0")	
			<b>027-203</b> = Tip Length 2.7mm - Total Length 203mm (8.0")	
			<b>027-254</b> = Tip Length 2.7mm - Total Length 254mm (10.0")	
			<b>027-305</b> = Tip Length 2.7mm - Total Length 305mm (12.0")	
			<b>064-114</b> = Tip Length 6.4mm - Total Length 114mm (4.5")	
			<b>064-127</b> = Tip Length 6.4mm - Total Length 127mm (5.0")	
			<b>064-152</b> = Tip Length 6.4mm - Total Length 152mm (6.0")	
			<b>064-203</b> = Tip Length 6.4mm - Total Length 203mm (8.0")	
<b>002</b> = 2MHz	Plastic	Double	<b>064-254</b> = Tip Length 6.4mm - Total Length 254mm (10.0")	<b>N</b> = Normal (2MHz = Dia 3.30mm)
			<b>064-305</b> = Tip Length 6.4mm - Total Length 305mm (12.0")	
			<b>127-114</b> = Tip Length 12.7mm - Total Length 114mm (4.5")	
			<b>127-127</b> = Tip Length 12.7mm - Total Length 127mm (5.0")	
			<b>127-152</b> = Tip Length 12.7mm - Total Length 152mm (6.0")	
			<b>127-203</b> = Tip Length 12.7mm - Total Length 203mm (8.0")	
			<b>127-254</b> = Tip Length 12.7mm - Total Length 254mm (10.0")	
			<b>127-305</b> = Tip Length 12.7mm - Total Length 305mm (12.0")	
			<b>190-114</b> = Tip Length 19.0mm - Total Length 114mm (4.5")	
			<b>190-127</b> = Tip Length 19.0mm - Total Length 127mm (5.0")	
<b>002</b> = 2MHz	Plastic	Double	<b>190-152</b> = Tip Length 19.0mm - Total Length 152mm (6.0")	<b>F</b> = Fine (2MHz = Dia 2.34mm)
			<b>190-203</b> = Tip Length 19.0mm - Total Length 203mm (8.0")	
			<b>190-254</b> = Tip Length 19.0mm - Total Length 254mm (10.0")	
			<b>190-305</b> = Tip Length 19.0mm - Total Length 305mm (12.0")	
			<b>245-114</b> = Tip Length 25.4mm - Total Length 114mm (4.5")	
			<b>254-127</b> = Tip Length 25.4mm - Total Length 127mm (5.0")	
			<b>254-152</b> = Tip Length 25.4mm - Total Length 152mm (6.0")	
			<b>254-203</b> = Tip Length 25.4mm - Total Length 203mm (8.0")	
			<b>254-254</b> = Tip Length 25.4mm - Total Length 254mm (10.0")	
			<b>254-305</b> = Tip Length 25.4mm - Total Length 305mm (12.0")	
<b>006</b> = 6MHz	Plastic	Double	<b>027-114</b> = Tip Length 2.7mm - Total Length 114mm (4.5")	<b>N</b> = Normal (6MHz = Dia 2.34mm)
			<b>027-127</b> = Tip Length 2.7mm - Total Length 127mm (5.0")	
			<b>027-152</b> = Tip Length 2.7mm - Total Length 152mm (6.0")	
			<b>027-203</b> = Tip Length 2.7mm - Total Length 203mm (8.0")	
			<b>027-254</b> = Tip Length 2.7mm - Total Length 254mm (10.0")	
<b>006</b> = 6MHz	Plastic	Double	<b>027-305</b> = Tip Length 2.7mm - Total Length 305mm (12.0")	<b>N</b> = Normal (6MHz = Dia 2.34mm)
			<b>027-114</b> = Tip Length 2.7mm - Total Length 114mm (4.5")	
			<b>027-127</b> = Tip Length 2.7mm - Total Length 127mm (5.0")	
			<b>027-152</b> = Tip Length 2.7mm - Total Length 152mm (6.0")	
			<b>027-203</b> = Tip Length 2.7mm - Total Length 203mm (8.0")	

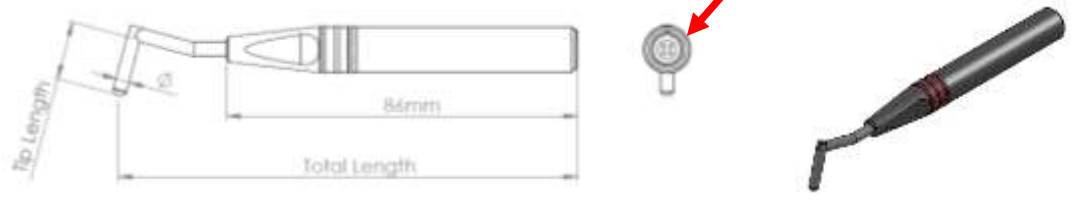
<b>002</b> = 2MHz	Plastic	<b>Double</b>	<b>064-114</b> = Tip Length 6.4mm - Total Length 114mm (4.5")	<b>F</b> = Fine (2MHz = Dia 2.34mm)
<b>006</b> = 6MHz		crank	<b>064-127</b> = Tip Length 6.4mm - Total Length 127mm (5.0")	<b>N</b> = Normal (6MHz = Dia 2.34mm)
			<b>064-152</b> = Tip Length 6.4mm - Total Length 152mm (6.0")	
			<b>064-203</b> = Tip Length 6.4mm - Total Length 203mm (8.0")	
			<b>064-254</b> = Tip Length 6.4mm - Total Length 254mm (10.0")	
			<b>064-305</b> = Tip Length 6.4mm - Total Length 305mm (12.0")	
<hr/>				
			<b>127-114</b> = Tip Length 12.7mm - Total Length 114mm (4.5")	
			<b>127-127</b> = Tip Length 12.7mm - Total Length 127mm (5.0")	
			<b>127-152</b> = Tip Length 12.7mm - Total Length 152mm (6.0")	
			<b>127-203</b> = Tip Length 12.7mm - Total Length 203mm (8.0")	
			<b>127-254</b> = Tip Length 12.7mm - Total Length 254mm (10.0")	
			<b>127-305</b> = Tip Length 12.7mm - Total Length 305mm (12.0")	
<hr/>				
			<b>190-114</b> = Tip Length 19.0mm - Total Length 114mm (4.5")	
			<b>190-127</b> = Tip Length 19.0mm - Total Length 127mm (5.0")	
			<b>190-152</b> = Tip Length 19.0mm - Total Length 152mm (6.0")	
			<b>190-203</b> = Tip Length 19.0mm - Total Length 203mm (8.0")	
			<b>190-254</b> = Tip Length 19.0mm - Total Length 254mm (10.0")	
			<b>190-305</b> = Tip Length 19.0mm - Total Length 305mm (12.0")	
<hr/>				
			<b>245-114</b> = Tip Length 25.4mm - Total Length 114mm (4.5")	
			<b>254-127</b> = Tip Length 25.4mm - Total Length 127mm (5.0")	
			<b>254-152</b> = Tip Length 25.4mm - Total Length 152mm (6.0")	
			<b>254-203</b> = Tip Length 25.4mm - Total Length 203mm (8.0")	
			<b>254-254</b> = Tip Length 25.4mm - Total Length 254mm (10.0")	
			<b>254-305</b> = Tip Length 25.4mm - Total Length 305mm (12.0")	

Other variants available on request.

**Leads to fit above probes:**

ETHer NDE Part No.	Description	Instrument	Connector Instrument End	Connector Probe End	Cable Length	Configuration
<b>ALLCX-M02-015A</b>	Lead	WeldCheck/ AeroCheck/ Vantage/ETi	Lemo Coaxial	Micro Plug	1.5m	Absolute
<b>ALL12-M02-015A</b>	Lead	WeldCheck/ AeroCheck/ Vantage/ETi/Hocking	Lemo 12-Way	Micro Plug	1.5m	Absolute
<b>ALL07-M02-015A</b>	Lead	Hocking	Lemo 7-Way	Micro Plug	1.5m	Absolute
<b>ALB02-M02-015A</b>	Lead	Various	BNC Plug	Micro Plug	1.5m	Absolute

**15deg Crank 90deg Tip - Bridge (IB Tech Inside) with plastic handle coding:**



**Standard**

ETHer NDE Part No.	Centre Frequency	Tip Length (Total Length)	ØTip	Type
<b>Probe, Shielded, Plastic Handle, Double crank</b>				
<b>PS200PD050-114NB</b>	200kHz	5.0 (MIN) Tip Length (Total Length 114mm, 4.5") (15deg Crank, 90deg tip Shank)	4.45	Bridge
<b>PS200PD027-114FB</b>	200kHz	2.7 (MIN) Tip Length (Total Length 114mm, 4.5") (15deg Crank, 90deg tip Shank)	3.30 (Fine)	Bridge
<b>PS500PD050-114NB</b>	500kHz	5.0 (MIN) Tip Length (Total Length 114mm, 4.5") (15deg Crank, 90deg tip Shank)	4.45	Bridge
<b>PS500PD027-114FB</b>	500kHz	2.7 (MIN) Tip Length (Total Length 114mm, 4.5") (15deg Crank, 90deg tip Shank)	3.30 (Fine)	Bridge
<b>PS002PD027-114NB</b>	2MHz	2.7 (MIN) Tip Length (Total Length 114mm, 4.5") (15deg Crank, 90deg tip Shank)	3.30	Bridge
<b>PS002PD017-114FB</b>	2MHz	1.7 (MIN) Tip Length (Total Length 114mm, 4.5") (15deg Crank, 90deg tip Shank)	2.34 (Fine)	Bridge
<b>PS006PD017-114NB</b>	6MHz	1.7 (MIN) Tip Length (Total Length 114mm, 4.5") (15deg Crank, 90deg tip Shank)	2.34	Bridge

Please see matrix below for other options, specials available on request.

**Other**

**15deg Crank 90deg Tip Probe Example: PS200PD050-114NB**

PS	Centre Frequency	Handle	Tip Type	Tip Length (mm) - Total Length (mm)	Tip Diameter (mm)
<b>PS</b>	<b>200</b>	<b>P</b>	<b>D</b>	<b>050-114</b>	<b>NB</b>
	200 = 200kHz	Plastic	Double	050-114 = Tip Length 5mm - Total Length 114mm (4.5")	NB = Normal (200kHz = Dia 4.45mm)
	500 = 500kHz		crank	050-127 = Tip Length 5mm - Total Length 127mm (5.0")	NB = Normal (500kHz = Dia 4.45mm)
				050-152 = Tip Length 5mm - Total Length 152mm (6.0")	
				050-203 = Tip Length 5mm - Total Length 203mm (8.0")	
				050-254 = Tip Length 5mm - Total Length 254mm (10.0")	
				050-305 = Tip Length 5mm - Total Length 305mm (12.0")	
				064-114 = Tip Length 6.4mm - Total Length 114mm (4.5")	
				064-127 = Tip Length 6.4mm - Total Length 127mm (5.0")	
				064-152 = Tip Length 6.4mm - Total Length 152mm (6.0")	
				064-203 = Tip Length 6.4mm - Total Length 203mm (8.0")	
				064-254 = Tip Length 6.4mm - Total Length 254mm (10.0")	
				064-305 = Tip Length 6.4mm - Total Length 305mm (12.0")	
				127-114 = Tip Length 12.7mm - Total Length 114mm (4.5")	
				127-127 = Tip Length 12.7mm - Total Length 127mm (5.0")	
				127-152 = Tip Length 12.7mm - Total Length 152mm (6.0")	
				127-203 = Tip Length 12.7mm - Total Length 203mm (8.0")	
				127-254 = Tip Length 12.7mm - Total Length 254mm (10.0")	
				127-305 = Tip Length 12.7mm - Total Length 305mm (12.0")	
				190-114 = Tip Length 19.0mm - Total Length 114mm (4.5")	
				190-127 = Tip Length 19.0mm - Total Length 127mm (5.0")	

Centre Frequency	Handle	Tip Type	Tip Length (mm) - Total Length (mm)	Tip Diameter (mm)	
<b>200</b> = 200kHz	Plastic	Double	<b>190-152</b> = Tip Length 19.0mm - Total Length 152mm (6.0")	<b>NB</b> = Normal (200kHz = Dia 4.45mm)	
<b>500</b> = 500kHz			crank		<b>190-203</b> = Tip Length 19.0mm - Total Length 203mm (8.0")
			<b>190-254</b> = Tip Length 19.0mm - Total Length 254mm (10.0")		
			<b>190-305</b> = Tip Length 19.0mm - Total Length 305mm (12.0")		
			<b>245-114</b> = Tip Length 25.4mm - Total Length 114mm (4.5")		
			<b>254-127</b> = Tip Length 25.4mm - Total Length 127mm (5.0")		
			<b>254-152</b> = Tip Length 25.4mm - Total Length 152mm (6.0")		
			<b>254-203</b> = Tip Length 25.4mm - Total Length 203mm (8.0")		
			<b>254-254</b> = Tip Length 25.4mm - Total Length 254mm (10.0")		
			<b>254-305</b> = Tip Length 25.4mm - Total Length 305mm (12.0")		
<b>200</b> = 200kHz		Plastic	Double	<b>027-114</b> = Tip Length 2.7mm - Total Length 114mm (4.5")	<b>FB</b> = Fine (200k = Dia 3.30mm)
<b>500</b> = 500kHz				crank	
<b>002</b> = 2MHz				<b>027-152</b> = Tip Length 2.7mm - Total Length 152mm (6.0")	<b>NB</b> = Normal (2MHz = Dia 3.30mm)
				<b>027-203</b> = Tip Length 2.7mm - Total Length 203mm (8.0")	
			<b>027-254</b> = Tip Length 2.7mm - Total Length 254mm (10.0")		
			<b>027-305</b> = Tip Length 2.7mm - Total Length 305mm (12.0")		
			<b>064-114</b> = Tip Length 6.4mm - Total Length 114mm (4.5")		
			<b>064-127</b> = Tip Length 6.4mm - Total Length 127mm (5.0")		
			<b>064-152</b> = Tip Length 6.4mm - Total Length 152mm (6.0")		
			<b>064-203</b> = Tip Length 6.4mm - Total Length 203mm (8.0")		
			<b>064-254</b> = Tip Length 6.4mm - Total Length 254mm (10.0")		
			<b>064-305</b> = Tip Length 6.4mm - Total Length 305mm (12.0")		
			<b>127-114</b> = Tip Length 12.7mm - Total Length 114mm (4.5")		
			<b>127-127</b> = Tip Length 12.7mm - Total Length 127mm (5.0")		
		<b>127-152</b> = Tip Length 12.7mm - Total Length 152mm (6.0")			
		<b>127-203</b> = Tip Length 12.7mm - Total Length 203mm (8.0")			
		<b>127-254</b> = Tip Length 12.7mm - Total Length 254mm (10.0")			
		<b>127-305</b> = Tip Length 12.7mm - Total Length 305mm (12.0")			
		<b>190-114</b> = Tip Length 19.0mm - Total Length 114mm (4.5")			
		<b>190-127</b> = Tip Length 19.0mm - Total Length 127mm (5.0")			
		<b>190-152</b> = Tip Length 19.0mm - Total Length 152mm (6.0")			
		<b>190-203</b> = Tip Length 19.0mm - Total Length 203mm (8.0")			
		<b>190-254</b> = Tip Length 19.0mm - Total Length 254mm (10.0")			
		<b>190-305</b> = Tip Length 19.0mm - Total Length 305mm (12.0")			
		<b>245-114</b> = Tip Length 25.4mm - Total Length 114mm (4.5")			
		<b>254-127</b> = Tip Length 25.4mm - Total Length 127mm (5.0")			
		<b>254-152</b> = Tip Length 25.4mm - Total Length 152mm (6.0")			
		<b>254-203</b> = Tip Length 25.4mm - Total Length 203mm (8.0")			
		<b>254-254</b> = Tip Length 25.4mm - Total Length 254mm (10.0")			
		<b>254-305</b> = Tip Length 25.4mm - Total Length 305mm (12.0")			
<b>002</b> = 2MHz	Plastic	Double	<b>027-114</b> = Tip Length 2.7mm - Total Length 114mm (4.5")	<b>FB</b> = Fine (2MHz = Dia 2.34mm)	
<b>006</b> = 6MHz			crank		<b>027-127</b> = Tip Length 2.7mm - Total Length 127mm (5.0")
			<b>027-152</b> = Tip Length 2.7mm - Total Length 152mm (6.0")		
			<b>027-203</b> = Tip Length 2.7mm - Total Length 203mm (8.0")		
			<b>027-254</b> = Tip Length 2.7mm - Total Length 254mm (10.0")		



**002** = 2MHz      Plastic      Double  
**006** = 6MHz                      crank

**027-305** = Tip Length 2.7mm - Total Length 305mm (12.0")  
**064-114** = Tip Length 6.4mm - Total Length 114mm (4.5")      **FB** = Fine (2MHz = Dia 2.34mm)  
**064-127** = Tip Length 6.4mm - Total Length 127mm (5.0")      **NB** = Normal (6MHz = Dia 2.34mm)  
**064-152** = Tip Length 6.4mm - Total Length 152mm (6.0")  
**064-203** = Tip Length 6.4mm - Total Length 203mm (8.0")  
**064-254** = Tip Length 6.4mm - Total Length 254mm (10.0")  
**064-305** = Tip Length 6.4mm - Total Length 305mm (12.0")

---

**127-114** = Tip Length 12.7mm - Total Length 114mm (4.5")  
**127-127** = Tip Length 12.7mm - Total Length 127mm (5.0")  
**127-152** = Tip Length 12.7mm - Total Length 152mm (6.0")  
**127-203** = Tip Length 12.7mm - Total Length 203mm (8.0")  
**127-254** = Tip Length 12.7mm - Total Length 254mm (10.0")  
**127-305** = Tip Length 12.7mm - Total Length 305mm (12.0")

---

**190-114** = Tip Length 19.0mm - Total Length 114mm (4.5")  
**190-127** = Tip Length 19.0mm - Total Length 127mm (5.0")  
**190-152** = Tip Length 19.0mm - Total Length 152mm (6.0")  
**190-203** = Tip Length 19.0mm - Total Length 203mm (8.0")  
**190-254** = Tip Length 19.0mm - Total Length 254mm (10.0")  
**190-305** = Tip Length 19.0mm - Total Length 305mm (12.0")

---

**245-114** = Tip Length 25.4mm - Total Length 114mm (4.5")  
**254-127** = Tip Length 25.4mm - Total Length 127mm (5.0")  
**254-152** = Tip Length 25.4mm - Total Length 152mm (6.0")  
**254-203** = Tip Length 25.4mm - Total Length 203mm (8.0")  
**254-254** = Tip Length 25.4mm - Total Length 254mm (10.0")  
**254-305** = Tip Length 25.4mm - Total Length 305mm (12.0")

Other variants available on request.

**Leads to fit above probes:**

ETHer NDE Part No.	Description	Instrument	Connector Instrument End	Connector Probe End	Cable Length	Configuration
<b>ALFTRI-L04-015</b>	Lead	Victor/Veritor	Fischer Triax	Lemo 4-Way Plug	1.5m	Bridge
<b>ALL12-L04-015B</b>	Lead	WeldCheck/ AeroCheck/ Vantage/ETi/Hocking	Lemo 12-Way	Lemo 4-Way Plug	1.5m	Bridge
<b>ALL07-L04-015B</b>	Lead	Hocking	Lemo 7-Way	Lemo 4-Way Plug	1.5m	Bridge

## ***Pencil Probe (Unshielded) - Absolute***

**Straight:**



**Application:**

Unshielded Absolute pencil probes have a broad frequency range, used extensively in the Aerospace industry.

**Specification:**

- Micro connector
- Centre frequency range - 200kHz 500kHz, 2MHz, 6MHz
- Operating range – 200kHz (50kHz – 600kHz), 500kHz (150kHz – 1.5MHz), 2MHz – (650kHz – 6MHz), 6MHz – (2MHz – 18MHz)
- Used on Fe & NFe applications
- Disconnectable

ETHer NDE Part No.	Description	Centre Frequency	Fe/NFe
<b>PU200PSFENFE</b>	Probe, Unshielded, 200KHz, Fe + NFe, Plastic Handle, Straight, 100mm Long	200kHz	Fe +Nfe
<b>PU500PSFENFE</b>	Probe, Unshielded, 500KHz, Fe + NFe, Plastic Handle, Straight, 100mm Long	500kHz	Fe + Nfe
<b>PU002PSNFE</b>	Probe, Unshielded, 2MHz, NFe, Plastic Handle, Straight, 100mm Long	2MHz	Nfe
<b>PU002PSFE</b>	Probe, Unshielded, 2MHz, Fe, Plastic Handle, Straight, 100mm Long	2MHz	Fe
<b>PU006PSNFE</b>	Probe, Unshielded, 6MHz, NFe, Plastic Handle, Straight, 100mm Long	6MHz	NFe
<b>PU006PSFE</b>	Probe, Unshielded, 6MHz, Fe, Plastic Handle, Straight, 100mm Long	6MHz	Fe

**Leads to fit above probes:**

ETHer NDE Part No.	Description	Instrument	Connector Instrument End	Connector Probe End	Cable Length	Configuration
<b>ALLCX-M02-015A</b>	Lead	WeldCheck/ AeroCheck/ Vantage/ETi	Lemo Coaxial	Micro Plug	1.5m	Absolute
<b>ALL12-M02-015A</b>	Lead	WeldCheck/ AeroCheck/ Vantage/ETi/Hocking	Lemo 12-Way	Micro Plug	1.5m	Absolute
<b>ALL07-M02-015A</b>	Lead	Hocking	Lemo 7-Way	Micro Plug	1.5m	Absolute
<b>ALB02-M02-015A</b>	Lead	Various	BNC Plug	Micro Plug	1.5m	Absolute

## ***Thread Inspection Probes (Unshielded) - Absolute***

### ***Pencil Type***

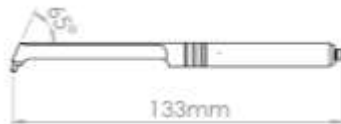
#### **Straight - External Threads (Bolts):**



#### **90deg Crank - External and Internal Threads (Bolts and Nuts):**



#### **65deg Crank – Internal Thread (Nuts):**



#### **Application:**

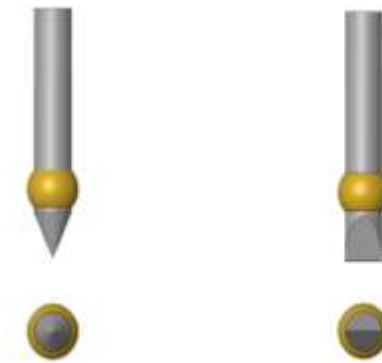
Unshielded Absolute thread inspection probes – for crack detection in external and internal threads.

#### **Specification:**

- Micro connector
- Centre frequency range - 200kHz 500kHz, 2MHz
- Operating range – 200kHz (50kHz – 600kHz), 500kHz (150kHz – 1.5MHz), 2MHz – (650kHz – 6MHz)
- Used on Fe & NFe applications
- Disconnectable

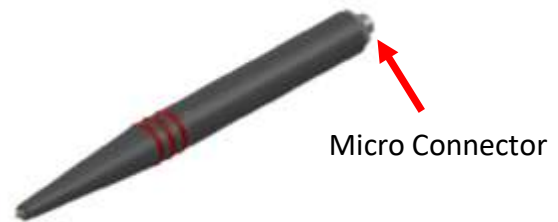
**Notes:**

This range of probes comes with either a pointed or chiselled tip.



**Probe Coding:**

***Straight - External Threads (Bolts)***



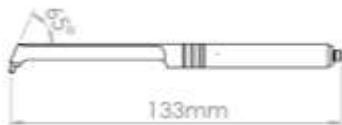
ETHer NDE Part No.	Description	Centre Frequency	Tip Shape
<b>Probe, Thread, External (Straight), Pointed/Chiselled</b>			
<b>PTE200PNFE</b>	Probe, Thread, External, 200kHz, Pointed, NFE, Unshielded.	200kHz	Pointed
<b>PTE200PFE</b>	Probe, Thread, External, 200kHz, Pointed, FE, Unshielded.	200kHz	Pointed
<b>PTE200CNFE</b>	Probe, Thread, External, 200kHz, Chisel, NFE, Unshielded.	200kHz	Chisel
<b>PTE200CFE</b>	Probe, Thread, External, 200kHz, Chisel, FE, Unshielded.	200kHz	Chisel
<b>PTE500PNFE</b>	Probe, Thread, External, 500kHz, Pointed, NFE, Unshielded.	500kHz	Pointed
<b>PTE500PFE</b>	Probe, Thread, External, 500kHz, Pointed, FE, Unshielded.	500kHz	Pointed
<b>PTE500CNFE</b>	Probe, Thread, External, 500kHz, Chisel, NFE, Unshielded.	500kHz	Chisel
<b>PTE500CFE</b>	Probe, Thread, External, 500kHz, Chisel, FE, Unshielded.	500kHz	Chisel
<b>PTE002PNFE</b>	Probe, Thread, External, 2MHz, Pointed, NFE, Unshielded.	2MHz	Pointed
<b>PTE002PFE</b>	Probe, Thread, External, 2MHz, Pointed, FE, Unshielded.	2MHz	Pointed
<b>PTE002CNFE</b>	Probe, Thread, External, 2MHz, Chisel, NFE, Unshielded.	2MHz	Chisel
<b>PTE002CFE</b>	Probe, Thread, External, 2MHz, Chisel, FE, Unshielded.	2MHz	Chisel
Other options available on request.			

### 90deg Crank - External and Internal Threads (Bolts and Nuts)



ETHer NDE Part No.	Description	Centre Frequency	Tip Shape
<b>Probe, Thread, Right Angled, Pointed/Chiselled</b>			
<b>PTR200PNFE</b>	Probe, Thread, 90 deg, 200kHz, Pointed, NFE, Unshielded.	200kHz	Pointed
<b>PTR200PFE</b>	Probe, Thread, 90 deg, 200kHz, Pointed, FE, Unshielded.	200kHz	Pointed
<b>PTR200CNFE</b>	Probe, Thread, 90 deg, 200kHz, Chisel, NFE, Unshielded.	200kHz	Chisel
<b>PTR200CFE</b>	Probe, Thread, 90 deg, 200kHz, Chisel, FE, Unshielded.	200kHz	Chisel
<b>PTR500PNFE</b>	Probe, Thread, 90 deg, 500kHz, Pointed, NFE, Unshielded.	500kHz	Pointed
<b>PTR500PFE</b>	Probe, Thread, 90 deg, 500kHz, Pointed, FE, Unshielded.	500kHz	Pointed
<b>PTR500CNFE</b>	Probe, Thread, 90 deg, 500kHz, Chisel, NFE, Unshielded.	500kHz	Chisel
<b>PTR500CFE</b>	Probe, Thread, 90 deg, 500kHz, Chisel, FE, Unshielded.	500kHz	Chisel
<b>PTR002PNFE</b>	Probe, Thread, 90 deg, 2MHz, Pointed, NFE, Unshielded.	2MHz	Pointed
<b>PTR002PFE</b>	Probe, Thread, 90 deg, 2MHz, Pointed, FE, Unshielded.	2MHz	Pointed
<b>PTR002CNFE</b>	Probe, Thread, 90 deg, 2MHz, Chisel, NFE, Unshielded.	2MHz	Chisel
<b>PTR002CFE</b>	Probe, Thread, 90 deg, 2MHz, Chisel, FE, Unshielded.	2MHz	Chisel
Other options available on request.			

### 65deg Crank – Internal Thread (Nuts)



ETHer NDE Part No.	Description	Centre Frequency	Tip Shape
<b>Probe, Thread, Internal 65 deg, Pointed/Chiselled</b>			
<b>PTI200PNFE</b>	Probe, Thread, Internal 65deg, 200kHz, Pointed, NFE, Unshielded.	200kHz	Pointed
<b>PTI200PFE</b>	Probe, Thread, Internal 65deg, 200kHz, Pointed, FE, Unshielded.	200kHz	Pointed
<b>PTI200CNFE</b>	Probe, Thread, Internal 65deg, 200kHz, Chisel, NFE, Unshielded.	200kHz	Chisel
<b>PTI200CFE</b>	Probe, Thread, Internal 65deg, 200kHz, Chisel, FE, Unshielded.	200kHz	Chisel
<b>PTI500PNFE</b>	Probe, Thread, Internal 65deg, 500kHz, Pointed, NFE, Unshielded.	500kHz	Pointed
<b>PTI500PFE</b>	Probe, Thread, Internal 65deg, 500kHz, Pointed, FE, Unshielded.	500kHz	Pointed
<b>PTI500CNFE</b>	Probe, Thread, Internal 65deg, 500kHz, Chisel, NFE, Unshielded.	500kHz	Chisel

<b>PTI500CFE</b>	Probe, Thread, Internal 65deg, 500kHz, Chisel, FE, Unshielded.	500kHz	Chisel
<b>PTI002PNFE</b>	Probe, Thread, Internal 65deg, 2MHz, Pointed, NFE, Unshielded.	2MHz	Pointed
<b>PTI002PFE</b>	Probe, Thread, Internal 65deg, 2MHz, Pointed, FE, Unshielded.	2MHz	Pointed
<b>PTI002CNFE</b>	Probe, Thread, Internal 65deg, 2MHz, Chisel, NFE, Unshielded.	2MHz	Chisel
<b>PTI002CFE</b>	Probe, Thread, Internal 65deg, 2MHz, Chisel, FE, Unshielded.	2MHz	Chisel
Other options available on request.			

**Leads to fit above probes:**

ETHer NDE Part No.	Description	Instrument	Connector Instrument End	Connector Probe End	Cable Length	Configuration
<b>ALLCX-M02-015A</b>	Lead	Weld/AeroCheck /ETi	Lemo Coaxial	Micro Plug	1.5m	Absolute
<b>ALL12-M02-015A</b>	Lead	Hocking	Lemo 12-Way	Micro Plug	1.5m	Absolute
<b>ALB02-M02-015A</b>	Lead	Various	BNC Plug	Micro Plug	1.5m	Absolute

***Saddle and Plug - Thread Inspection Probes***

Threaded sections can be inspected using a dedicated probe which can be supplied to fit either external or internal threads precisely.



External Thread Probe



Internal Thread Plug Probe

External threads can be inspected with a Saddle probe with a thread cut into the concave surface. The coil is fitted into the thread section to allow inspection to be carried out with very little probe wobble. A Saddle probe can be in the shape of a segment to screw along the thread like a nut.

Internal threaded sections can be inspected with a threaded Plug probe with a sensor moulded into the threaded area. The Plug probe is then simply moved along the thread, in the area of interest, to ensure 100% inspection.

Saddle and Plug probes are manufactured to order. A sample of the threaded section is usually required as a pattern for making probes.

## **Broad Band Probes – Absolute/Bridge**

**Absolute**



BNC Connector

**Bridge**



Lemo 4-Way

### **Application:**

**Absolute unshielded broad band probes** - for general purpose inspection of surface breaking defects and metallurgy variations and to estimate coating (Paint) thickness.

**Bridge unshielded broad band probes** – ETHER NDE newly developed “IB Tech Inside” absolute intrinsically balanced technology which further improves the signal to noise ratio of conventional absolute probes giving a significant improvement in inspection reliability, uses Lemo 4-Way connector.

### **Specification:**

- Broad range with centre frequency – 5kHz, 20kHz, 100kHz, 500kHz, 2MHz
- Plastic Handle with neoprene grip
- Connector – BNC for absolute and Lemo 4-Way for bridge (IB Tech Inside)

### **Notes:**

A range of balance loads also available for use with some impedance plane instruments.

### **Absolute Probe Coding:**

ETHER NDE Part No.	Description	Centre Frequency	Frequency Range	Type/Connector
<b>Probe, Unshielded, Broad Band</b>				
<b>PUB2M</b>	Probe, Unshielded, Broad Band, 2MHz	2MHz (5.6uH)	500kHz - 4MHz	Absolute/BNC Socket
<b>PUB500K</b>	Probe, Unshielded, Broad Band, 500k	500kHz (22uH)	150kHz - 1MHz	Absolute/BNC Socket
<b>PUB100K</b>	Probe, Unshielded, Broad Band, 100k	100kHz (82uH)	35kHz - 250kHz	Absolute/BNC Socket
<b>PUB20K</b>	Probe, Unshielded, Broad Band, 20k	20kHz (390uH)	7kHz - 60kHz	Absolute/BNC Socket
<b>PUB5K</b>	Probe, Unshielded, Broad Band, 5k	5kHz (1500uH)	2kHz - 15kHz	Absolute/BNC Socket

### **Leads to fit above probes:**

ETHER NDE Part No.	Description	Instrument	Connector Instrument End	Connector Probe End	Cable Length	Configuration
<b>ALLCX-M02-015A</b>	Lead	Weld/AeroCheck Range, ETI-200	Lemo OO Coaxial	BNC Plug	1.5m	Absolute
<b>ALL12-B02-015A</b>	Lead	Weld/AeroCheck Range, ETI-200, ETI-300	Lemo 12-Way Plug	BNC Plug	1.5m	Absolute
<b>ALL07-B02-015A</b>	Lead	Hocking	Lemo 7-Way Plug	BNC Plug	1.5m	Absolute
<b>ALB02-B02-015A</b>	Lead	ETI-300/Various	BNC Plug	BNC Plug	1.5m	Absolute

**Bridge Probe Coding:**

ETHer NDE Part No.	Description	Centre Frequency	Frequency Range	Type/Connector
<b>Probe, Unshielded, Broad Band</b>				
<b>PUB2MB</b>	Probe, Unshielded, Broad Band, 2MHz	2MHz (5.6uH)	500kHz - 4MHz	Bridge/Lemo 4-Way
<b>PUB500KB</b>	Probe, Unshielded, Broad Band, 500k	500kHz (22uH)	150kHz - 1MHz	Bridge/Lemo 4-Way
<b>PUB100KB</b>	Probe, Unshielded, Broad Band, 100k	100kHz (82uH)	35kHz - 250kHz	Bridge/Lemo 4-Way
<b>PUB20KB</b>	Probe, Unshielded, Broad Band, 20k	20kHz (390uH)	7kHz - 60kHz	Bridge/Lemo 4-Way
<b>PUB5KB</b>	Probe, Unshielded, Broad Band, 5k	5kHz (1500uH)	2kHz - 15kHz	Bridge/Lemo 4-Way

**Leads to fit above probes:**

ETHer NDE Part No.	Description	Instrument	Connector Instrument End	Connector Probe End	Cable Length	Configuration
<b>ALL12-L04-015B</b>	Lead	Weld/Aero/Phase /AM/RailCheck Range, ETi-200, ETi-300	Lemo 12-Way	Lemo 4-Way Plug	1.5m	Bridge
<b>ALL07-L04-015B</b>	Lead	Hocking	Lemo 7-Way	Lemo 4-Way Plug	1.5m	Bridge
<b>ALL04-L04-015-B</b>	Lead	Phase/AM/RailCheck Range	Lemo 4-Way Plug	Lemo 4-Way Plug	1.5m	Bridge



## Rotating Probes - Reflection

### Rigid Stainless Steel



### Delrin Flexible



### **Application:**

Differential Rotating Probes - for internal diameter inspection of bore holes, countersinks and counter bores.

### **Specification:**

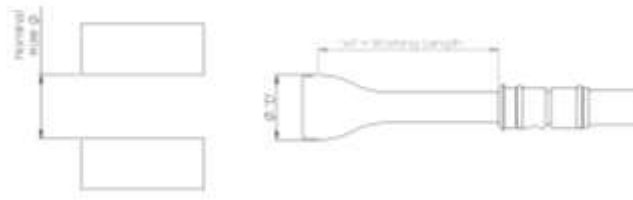
- Probe diameters from 1.6 to 50mm, available in 0.01mm steps
- Fischer connector to ETher Small and Large drive also compatible with Hocking, GE, Rohmann and Forster drive units.
- Frequency range from 200kHz to 2MHz
- Comes in rigid stainless steel and delrin flexible options

### **Notes:**

When ordering rotating probes 0.1mm is automatically taken off probe diameter during manufacture, this should be good for typical hole condition and manufacturing tolerances. Where tolerances are poor allow for greater clearance.

Example: To inspect a  $\varnothing 12.7$  (1/2") hole a  $\varnothing 12.7$  probe should be ordered which will be manufactured to a  $\varnothing 12.6$ .

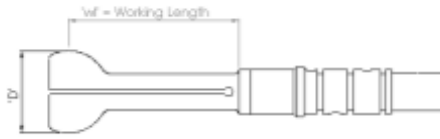
## Rigid Stainless Steel Coding



ETHer NDE Part No.	Description	Nominal Hole Dia "	Nominal Hole Dia mm	'wl' - Working Length mm
<b>Imperial Examples:</b>				
<b>PRR0159-035</b>	Probe. Rotating, Rigid, Dia = 1.59mm (1/16"), wl = 35mm	1/16"	1.59	35.0
<b>PRR0198-035</b>	Probe. Rotating, Rigid, Dia = 1.98mm (5/64"), wl = 35mm	5/64"	1.98	35.0
<b>PRR0238-035</b>	Probe. Rotating, Rigid, Dia = 2.38mm (3/32"), wl = 35mm	3/32"	2.38	35.0
<b>PRR0278-035</b>	Probe. Rotating, Rigid, Dia = 2.78mm (7/64"), wl = 35mm	7/64"	2.87	35.0
<b>PRR0318-035</b>	Probe. Rotating, Rigid, Dia = 3.18mm (1/8"), wl = 35mm	1/8"	3.18	35.0
<b>PRR0357-035</b>	Probe. Rotating, Rigid, Dia = 3.57mm (9/64"), wl = 35mm	9/64"	3.57	35.0
<b>PRR0397-035</b>	Probe. Rotating, Rigid, Dia = 3.97mm (5/32"), wl = 35mm	5/32"	3.97	35.0
<b>PRR0437-035</b>	Probe. Rotating, Rigid, Dia = 4.37mm (11/64"), wl = 35mm	11/64"	4.37	35.0
<b>PRR0476-035</b>	Probe. Rotating, Rigid, Dia = 4.76mm (3/16"), wl = 35mm	3/16"	4.76	35.0
<b>PRR0516-035</b>	Probe. Rotating, Rigid, Dia = 5.16mm (13/64"), wl = 35mm	13/64"	5.16	35.0
<b>PRR0556-035</b>	Probe. Rotating, Rigid, Dia = 5.56mm (7/32"), wl = 35mm	7/32"	5.56	35.0
<b>PRR0595-035</b>	Probe. Rotating, Rigid, Dia = 5.95mm (15/64"), wl = 35mm	15/64"	5.95	35.0
<b>PRR0635-035</b>	Probe. Rotating, Rigid, Dia = 6.35mm (1/4"), wl = 35mm	1/4"	6.35	35.0
<b>PRR0675-035</b>	Probe. Rotating, Rigid, Dia = 6.75mm (17/64"), wl = 35mm	17/64"	6.75	35.0
<b>PRR0714-035</b>	Probe. Rotating, Rigid, Dia = 7.14mm (9/32"), wl = 35mm	9/32"	7.14	35.0
<b>PRR0754-035</b>	Probe. Rotating, Rigid, Dia = 7.54mm (19/64"), wl = 35mm	19/64"	7.54	35.0
<b>PRR0794-035</b>	Probe. Rotating, Rigid, Dia = 7.94mm (5/16"), wl = 35mm	5/16"	7.94	35.0
<b>PRR0833-035</b>	Probe. Rotating, Rigid, Dia = 8.33mm (13/64"), wl = 35mm	21/64"	8.33	35.0
<b>PRR0873-035</b>	Probe. Rotating, Rigid, Dia = 8.73mm (11/32"), wl = 35mm	11/32"	8.73	35.0
<b>PRR0913-035</b>	Probe. Rotating, Rigid, Dia = 9.13mm (23/64"), wl = 35mm	23/64"	9.13	35.0
<b>PRR0953-035</b>	Probe. Rotating, Rigid, Dia = 9.53mm (3/8"), wl = 35mm	3/8"	9.53	35.0
<b>PRR0992-035</b>	Probe. Rotating, Rigid, Dia = 9.92mm (25/64"), wl = 35mm	25/64"	9.92	35.0
<b>PRR1032-035</b>	Probe. Rotating, Rigid, Dia = 10.32mm (13/32"), wl = 35mm	13/32"	10.32	35.0
<b>PRR1072-035</b>	Probe. Rotating, Rigid, Dia = 10.72mm (27/64"), wl = 35mm	27/64"	10.72	35.0
<b>PRR1111-035</b>	Probe. Rotating, Rigid, Dia = 11.11mm (7/16"), wl = 35mm	7/16"	11.11	35.0
<b>PRR1151-035</b>	Probe. Rotating, Rigid, Dia = 11.51mm (29/64"), wl = 35mm	29/64"	11.51	35.0
<b>PRR1191-035</b>	Probe. Rotating, Rigid, Dia = 11.91mm (15/32"), wl = 35mm	15/32"	11.91	35.0
<b>PRR1230-035</b>	Probe. Rotating, Rigid, Dia = 12.30mm (31/64"), wl = 35mm	31/64"	12.30	35.0
<b>PRR1270-035</b>	Probe. Rotating, Rigid, Dia = 12.70mm (1/2") wl = 35mm	1/2"	12.70	35.0
<b>PRR1310-065</b>	Probe. Rotating, Rigid, Dia = 13.10mm (33/64") wl = 65mm	33/64"	13.10	65.0
<b>PRR1350-065</b>	Probe. Rotating, Rigid, Dia = 13.50mm (17/32") wl = 65mm	17/32"	13.50	65.0
<b>PRR1390-065</b>	Probe. Rotating, Rigid, Dia = 13.90mm (35/64") wl = 65mm	35/64"	13.9	65.0
<b>PRR1430-065</b>	Probe. Rotating, Rigid, Dia = 14.30mm (9/16") wl = 65mm	9/16"	14.3	65.0
<b>PRR1470-065</b>	Probe. Rotating, Rigid, Dia = 14.70mm (37/64") wl = 65mm	37/64"	14.7	65.0
<b>PRR1510-065</b>	Probe. Rotating, Rigid, Dia = 15.10mm (19/32") wl = 65mm	19/32"	15.1	65.0
<b>PRR1550-065</b>	Probe. Rotating, Rigid, Dia = 15.50mm (39/64") wl = 65mm	39/64"	15.5	65.0
<b>PRR1590-065</b>	Probe. Rotating, Rigid, Dia = 15.90mm (5/8") wl = 65mm	5/8"	15.9	65.0
<b>PRR1630-065</b>	Probe. Rotating, Rigid, Dia = 16.30mm (41/64") wl = 65mm	41/64"	16.3	65.0
<b>PRR1670-065</b>	Probe. Rotating, Rigid, Dia = 16.70mm (21/32") wl = 65mm	21/32"	16.7	65.0
<b>PRR1710-065</b>	Probe. Rotating, Rigid, Dia = 17.10mm (43/64") wl = 65mm	43/64"	17.1	65.0
<b>PRR1750-065</b>	Probe. Rotating, Rigid, Dia = 17.50mm (11/16") wl = 65mm	11/16"	17.5	65.0

<b>ETHer NDE Part No.</b>	<b>Description</b>	<b>Nominal Hole Dia "</b>	<b>Nominal Hole Dia mm</b>	<b>'wl' - Working Length mm</b>
<b>PRR1790-065</b>	Probe. Rotating, Rigid, Dia = 17.90mm (45/64") wl = 65mm	45/64"	17.9	65.0
<b>PRR1830-065</b>	Probe. Rotating, Rigid, Dia = 18.30mm (23/32") wl = 65mm	23/32"	18.3	65.0
<b>PRR1870-065</b>	Probe. Rotating, Rigid, Dia = 18.70mm (47/64") wl = 65mm	47/64"	18.7	65.0
<b>PRR1910-065</b>	Probe. Rotating, Rigid, Dia = 19.10mm (3/4") wl = 65mm	3/4"	19.1	65.0
<b>PRR1950-065</b>	Probe. Rotating, Rigid, Dia = 19.50mm (49/64") wl = 65mm	49/64"	19.5	65.0
<b>PRR1980-065</b>	Probe. Rotating, Rigid, Dia = 19.80mm (25/32") wl = 65mm	25/32"	19.8	65.0
<b>PRR2020-065</b>	Probe. Rotating, Rigid, Dia = 20.20mm (51/64") wl = 65mm	51/64"	20.2	65.0
<b>PRR2060-065</b>	Probe. Rotating, Rigid, Dia = 20.60mm (13/16") wl = 65mm	13/16"	20.6	65.0
<b>PRR2100-065</b>	Probe. Rotating, Rigid, Dia = 21.00mm (53/64") wl = 65mm	53/64"	21.0	65.0
<b>PRR2140-065</b>	Probe. Rotating, Rigid, Dia = 20.20mm (27/32") wl = 65mm	27/32"	21.4	65.0
<b>PRR2180-065</b>	Probe. Rotating, Rigid, Dia = 20.20mm (55/64") wl = 65mm	55/64"	21.8	65.0
<b>PRR2220-065</b>	Probe. Rotating, Rigid, Dia = 20.20mm (7/8") wl = 65mm	7/8"	22.2	65.0
<b>PRR2260-065</b>	Probe. Rotating, Rigid, Dia = 20.20mm (57/64") wl = 65mm	57/64"	22.6	65.0
<b>PRR2300-065</b>	Probe. Rotating, Rigid, Dia = 20.20mm (29/32") wl = 65mm	29/32"	23.0	65.0
<b>PRR2340-065</b>	Probe. Rotating, Rigid, Dia = 20.20mm (59/64") wl = 65mm	59/64"	23.4	65.0
<b>PRR2380-065</b>	Probe. Rotating, Rigid, Dia = 20.20mm (15/16") wl = 65mm	15/16"	23.8	65.0
<b>PRR2420-065</b>	Probe. Rotating, Rigid, Dia = 20.20mm (61/64") wl = 65mm	61/64"	24.2	65.0
<b>PRR2460-065</b>	Probe. Rotating, Rigid, Dia = 20.20mm (31/32") wl = 65mm	31/32"	24.6	65.0
<b>PRR2500-065</b>	Probe. Rotating, Rigid, Dia = 20.20mm (63/64") wl = 65mm	63/64"	25.0	65.0
<b>PRR2540-065</b>	Probe. Rotating, Rigid, Dia = 20.20mm (1.0") wl = 65mm	1.0	25.4	65.0
<b>Metric Examples:</b>				
<b>PRR0300-035</b>	Probe. Rotating, Rigid, Dia = 3.00mm, wl = 35mm		3.00	35.0
<b>PRR0400-035</b>	Probe. Rotating, Rigid, Dia = 4.00mm, wl = 35mm		4.00	35.0
<b>PRR0500-035</b>	Probe. Rotating, Rigid, Dia = 5.00mm, wl = 35mm		5.00	35.0
<b>PRR0600-035</b>	Probe. Rotating, Rigid, Dia = 6.00mm, wl = 35mm		6.00	35.0
<b>PRR0700-035</b>	Probe. Rotating, Rigid, Dia = 7.00mm, wl = 35mm		7.00	35.0
<b>PRR0800-035</b>	Probe. Rotating, Rigid, Dia = 8.00mm, wl = 35mm		8.00	35.0
<b>PRR0900-035</b>	Probe. Rotating, Rigid, Dia = 9.00mm, wl = 35mm		9.00	35.0
<b>PRR1000-035</b>	Probe. Rotating, Rigid, Dia = 10.00mm, wl = 35mm		10.00	35.0
<b>PRR1100-035</b>	Probe. Rotating, Rigid, Dia = 11.00mm, wl = 35mm		11.00	35.0
<b>PRR1200-035</b>	Probe. Rotating, Rigid, Dia = 12.00mm, wl = 35mm		12.00	35.0
<b>PRR1300-065</b>	Probe. Rotating, Rigid, Dia = 13.00mm, wl = 65mm		13.00	65.0
<b>PRR1400-065</b>	Probe. Rotating, Rigid, Dia = 14.00mm, wl = 65mm		14.00	65.0
<b>PRR1500-065</b>	Probe. Rotating, Rigid, Dia = 15.00mm, wl = 65mm		15.00	65.0
<b>PRR1600-065</b>	Probe. Rotating, Rigid, Dia = 16.00mm, wl = 65mm		16.00	65.0
<b>PRR1700-065</b>	Probe. Rotating, Rigid, Dia = 17.00mm, wl = 65mm		17.00	65.0
<b>PRR1800-065</b>	Probe. Rotating, Rigid, Dia = 18.00mm, wl = 65mm		18.00	65.0
<b>PRR1900-065</b>	Probe. Rotating, Rigid, Dia = 19.00mm, wl = 65mm		19.00	65.0
<b>PRR2000-065</b>	Probe. Rotating, Rigid, Dia = 20.00mm, wl = 65mm		20.00	65.0
<b>PRR2100-065</b>	Probe. Rotating, Rigid, Dia = 21.00mm, wl = 65mm		21.00	65.0
<b>PRR2200-065</b>	Probe. Rotating, Rigid, Dia = 22.00mm, wl = 65mm		22.00	65.0
<b>PRR2300-065</b>	Probe. Rotating, Rigid, Dia = 23.00mm, wl = 65mm		23.00	65.0
<b>PRR2400-065</b>	Probe. Rotating, Rigid, Dia = 24.00mm, wl = 65mm		24.00	65.0
<b>PRR2500-065</b>	Probe. Rotating, Rigid, Dia = 25.00mm, wl = 65mm		25.00	65.0
<b>Other options available on request.</b>				

## Delrin Flexible Coding



ETHer NDE Part No.	Description	Hole Dia Range mm	Nominal Diameter	'wl' - Working Length mm
<b>Examples:</b>				
<b>PRF040-050051</b>	Probe. Rotating, Flexible, Dia = 4.0 – 5.0mm, wl = 51.00mm	4.0-5.0	3/16" (4.76mm)	51
<b>PRF050-060051</b>	Probe. Rotating, Flexible, Dia = 5.0 – 6.0mm, wl = 51.00mm	5.0-6.0	7/32" (5.56mm)	51
<b>PRF060-070051</b>	Probe. Rotating, Flexible, Dia = 6.0 – 7.0mm, wl = 51.00mm	6.0-7.0	1/4" (6.35mm)	51
<b>PRF070-080051</b>	Probe. Rotating, Flexible, Dia = 7.0 – 8.0mm, wl = 51.00mm	7.0-8.0	5/16" (7.94mm)	51
<b>PRF080-090051</b>	Probe. Rotating, Flexible, Dia = 8.0 – 9.0mm, wl = 51.00mm	8.0-9.0	21/64" (8.33mm)	51
<b>PRF090-100051</b>	Probe. Rotating, Flexible, Dia = 9.0 – 10.0mm, wl = 51.00mm	9.0-10.00	3/8" (9.53mm)	51
<b>PRF100-110051</b>	Probe. Rotating, Flexible, Dia = 10.0 – 11.0mm, wl = 51.00mm	10.0-11.00	13/32" (10.32mm)	51
<b>PRF110-120051</b>	Probe. Rotating, Flexible, Dia = 11.0 – 12.0mm, wl = 51.00mm	11.0-12.00	7/16" (11.11mm)	51
<b>PRF120-130051</b>	Probe. Rotating, Flexible, Dia = 12.0 – 13.0mm, wl = 51.00mm	12.00-13.00	1/2" (12.70mm)	51
<b>PRF130-150051</b>	Probe. Rotating, Flexible, Dia = 13.0 – 15.0mm, wl = 51.00mm	13.00 - 15.00	9/16" (14.30mm)	51
<b>PRF150-170051</b>	Probe. Rotating, Flexible, Dia = 15.0 – 17.0mm, wl = 51.00mm	15.00 - 17.00	5/8" (15.90mm)	51
<b>PRF170-190051</b>	Probe. Rotating, Flexible, Dia = 17.0 – 19.0mm, wl = 51.00mm	17.00 - 19.00	11/16" (17.50mm)	51
<b>PRF190-210051</b>	Probe. Rotating, Flexible, Dia = 19.0 – 21.0mm, wl = 51.00mm	19.00 - 21.00	3/4" (19.10mm)	51
<b>PRF210-230051</b>	Probe. Rotating, Flexible, Dia = 21.0 – 23.0mm, wl = 51.00mm	21.00 - 23.00	7/8" (22.00mm)	51
<b>PRF230-250051</b>	Probe. Rotating, Flexible, Dia = 23.0 – 25.0mm, wl = 51.00mm	23.00 - 25.00	15/16" (23.80mm)	51
<b>PRF250-270051</b>	Probe. Rotating, Flexible, Dia = 25.0 – 27.0mm, wl = 51.00mm	25.00 - 27.00	1" (25.40mm)	51
<b>PRF270-290051</b>	Probe. Rotating, Flexible, Dia = 27.0 – 29.0mm, wl = 51.00mm	27.00 - 29.00	1 1/8" (28.57mm)	51
<b>PRF290-310051</b>	Probe. Rotating, Flexible, Dia = 29.0 – 31.0mm, wl = 51.00mm	29.00 - 31.00	1 3/16" (30.17mm)	51
<b>PRF310-330051</b>	Probe. Rotating, Flexible, Dia = 31.0 – 33.0mm, wl = 51.00mm	31.00 - 33.00	1 1/4" (31.75mm)	51
<b>PRF330-350051</b>	Probe. Rotating, Flexible, Dia = 33.0 – 35.0mm, wl = 51.00mm	33.00 - 35.00	1 3/8" (34.93mm)	51
<b>PRF350-370051</b>	Probe. Rotating, Flexible, Dia = 35.0 – 37.0mm, wl = 51.00mm	35.00 - 37.00	1 7/16" (36.51mm)	51
<b>PRF370-390051</b>	Probe. Rotating, Flexible, Dia = 37.0 – 39.0mm, wl = 51.00mm	37.00 - 39.00	1 1/2" (38.10mm)	51
Other options available on request.				

## **Manual Bolt Hole Probes - Absolute**

### Manual Bolt Hole – Dia 3.2 to 11mm



### Manual Bolt Hole – Dia 11.5 to 38mm



#### **Application:**

For manual internal diameter inspection of bore holes.

#### **Specification:**

- All probes have a Delrin Tip
- Connector – Micro for absolute
- Centre frequency/Operating range – 200kHz (50kHz – 600kHz), 500kHz (150kHz – 1.5MHz), 2MHz – (650kHz – 6MHz)

Example: **PB200R070-080**

Probe, Manual Bolt Hole	Centre Frequency	Shank	Tip Diameter or Range (mm) WL= (mm)	Nominal Diameter
<b>PB</b>	<b>200</b>	<b>R</b>	<b>070-080</b>	
	200 = 200kHz	Rigid	032 - Dia = 3.2, WL = 76mm	1/8"
	500 = 500kHz		036 - Dia = 3.6, WL = 76mm	9/64"
	002 = 2MHz		039 - Dia = 3.9, WL = 76mm	5/32"
			043 - Dia = 4.3, WL = 76mm	11/64"
			045-055 - Dia = 4.5 - 5.5, WL = 76mm	3/16"
			055-065 - Dia = 5.5 - 6.5, WL = 76mm	7/32"
			060-070 - Dia = 6.0 - 7.0, WL = 76mm	1/4"
			070-080 - Dia = 7.0 - 8.0, WL = 76mm	9/32"
			075-090 - Dia = 7.5 - 9.0, WL = 76mm	5/16"
			085-100 - Dia = 8.5 - 10.0, WL = 76mm	11/32"
			095-110 - Dia = 9.5 - 11.0, WL = 76mm	3/8"
			100-115 - Dia = 10.0 - 11.5, WL = 76mm	13/32"
			110-125 - Dia = 11.0 - 12.5, WL = 76mm	7/16"
			115-130 - Dia = 11.5 - 13.0, WL = 76mm	15/32"
			125-140 - Dia = 12.5 - 14.0, WL = 76mm	1/2"
			130-145 - Dia = 13.0 - 14.5, WL = 76mm	17/32"
			140-155 - Dia = 14.0 - 15.5, WL = 76mm	9/16"

			<b>150-165</b> – Dia = 15.0 – 16.5, WL = 76mm	19/32"
			<b>155-170</b> – Dia = 15.5 – 17.0, WL = 76mm	5/8"
			<b>165-180</b> – Dia = 16.5 – 18.0, WL = 76mm	21/32"
			<b>170-185</b> – Dia = 17.0 – 18.5, WL = 76mm	11/16"
			<b>180-195</b> – Dia = 18.0 – 19.5, WL = 76mm	23/32"
			<b>190-205</b> – Dia = 19.0 – 20.5, WL = 76mm	3/14"
			<b>195-210</b> – Dia = 19.5 – 21.0, WL = 76mm	25/32"
			<b>205-220</b> – Dia = 20.5 – 22.0, WL = 76mm	13/16"
			<b>210-225</b> – Dia = 21.0 - 22.5, WL = 76mm	27/32"
			<b>220-235</b> – Dia = 22.0 - 23.5, WL = 76mm	7/8"
			<b>230-245</b> – Dia = 23.0 - 24.5, WL = 76mm	29/32"
			<b>235-250</b> – Dia = 23.5 – 25.0, WL = 76mm	15/16"
			<b>245-260</b> – Dia = 24.5 – 26.0, WL = 76mm	31/32"
			<b>250-265</b> – Dia = 25.0 – 26.5, WL = 76mm	1"
			<b>260-275</b> – Dia = 26.0 – 27.5, WL = 76mm	33/32"
			<b>265-280</b> – Dia = 26.5 -28.0, WL = 76mm	17/16"
			<b>275-290</b> – Dia = 27.5 – 29.0, WL = 76mm	35/32"
			<b>285-300</b> – Dia = 28.5 -30.0, WL = 76mm	9/8"
			<b>290-305</b> – Dia = 29.0 – 30.5, WL =76mm	37/32"
			<b>300-315</b> – Dia = 30.0 – 31.5, WL = 76mm	19/16"
			<b>305-320</b> – Dia = 30.5 – 32.0, WL = 76mm	39/32"
			<b>315-330</b> – Dia = 31.5 – 33.0, WL = 76mm	5/4"
			<b>325-340</b> – Dia = 32.5 – 34.0, WL = 76mm	41/32"
			<b>330-345</b> – Dia = 33.0 – 34.5, WL = 76mm	21/16"
			<b>340-355</b> – Dia = 34.0 – 35.5, WL = 76mm	43/32"
			<b>345-360</b> – Dia – 34.5 – 36.0, WL = 76mm	11/8"
			<b>355-370</b> – Dia – 35.5 – 37.0, WL = 76mm	45/32"
			<b>365-380</b> – Dia – 36.5 – 38.0, WL = 76mm	23/16"
			<b>370-385</b> – Dia – 37.0 – 38.5, WL = 76mm	47/32"
			<b>380-395</b> – Dia – 38.0 - 39.5, WL = 76mm	1.5"

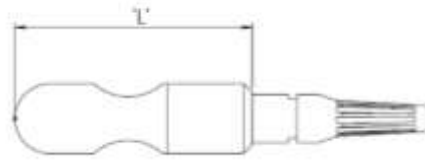
Other variants available on request.

**Leads to fit above probes:**

ETHer NDE Part No.	Description	Instrument	Connector Instrument End	Connector Probe End	Cable Length	Configuration
<b>ALLCX-M02-015A</b>	Lead	Weld/AeroCheck Range, ETi-200	Lemo OO Coaxial	Micro Plug	1.5m	Absolute
<b>ALL12-M02-015A</b>	Lead	Weld/Aero/Phase /AM/RailCheck Range, ETi-200, ETi-300	Lemo 12-Way Plug	Micro Plug	1.5m	Absolute
<b>ALL07-M02-015A</b>	Lead	Hocking	Lemo 7-Way Plug	Micro Plug	1.5m	Absolute
<b>ALB02-M02-015A</b>	Lead	ETi-300, Various	BNC Plug	Micro Plug	1.5m	Absolute

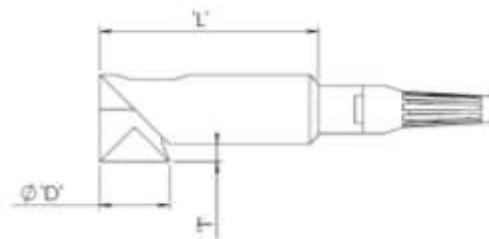
## **Standard Weld Probes - Bridge**

### **Straight**



Type	D' = Dia (mm)	L' = Length (mm)
Small	11	47.5
Medium	16	55
Large	32	76.5

### **90deg Inline**



### **90deg Transverse**



Type	D' = Dia (mm)	L' = Length (mm)	T' = Tip Drop
Small	11	36.5	10.3
Medium	16	50	4.1
Large	32	128	21.1

### **Application:**

Differential Weld probes - for in-service inspection of welded structures.

### **Specification:**

- Straight, 90deg Inline, 90deg Right Angle
- Diameters, 11.0 (Small), 16 (Medium), 32mm (Large)
- Disconnectable and integral probe cables
- Cable lengths from 1.5 to 50meters
- Frequency range 100kHz, 20kHz, 100-600kHz
- Minimal lift off signal, can find cracks though paint, oil and conductive and non-conductive coatings
- Made from hard wearing PET
- Stainless steel and ceramic tips available on request

### **Notes:**

100kHz probes used on standard ferrous welds

100-600kHz probe can be used on Aluminium and Stainless Steel welds

20kHz probe can be used on multi-surface applications and Duplex

## Standard Weld Probe Coding System

PWS100S015L12

PW	Probe Weld (Plastic)
S	Dia 11.0mm (Small)
M	Dia 16.0mm (Medium)
L	Dia 32.0mm (Large)
100	100kHz (Standard)
020	20kHz Enhanced
106	100-600kHz Multi-surface (Aluminium and Stainless Steel welds)
S	Straight
I	90 deg Inline
R	90 deg Transverse
000	Disconnect (See page 36)
015	1.5m Cable
050	5.0m Cable
100	10.0m Cable
500	50.0m Cable
1000	1000.0m Cable
L7	7 Way Lemo – Hocking Locator
L12	12 Way Lemo – WeldCheck/AeroCheck/Vantage G2, ETi-200, ETi-300
J6	6 Way Jaeger – Hocking QuickCheck, 1.1
A4	4-way Amphenol – Zetec
C3	3-way Cannon -
L14	14 Way Lemo - Vantage G1
W	Water Proof (see page 37)
C	Ceramic (High Temp) (see page 38)
S	Stainless Steel Tip (see page 38)

Example: PWS100S015L12

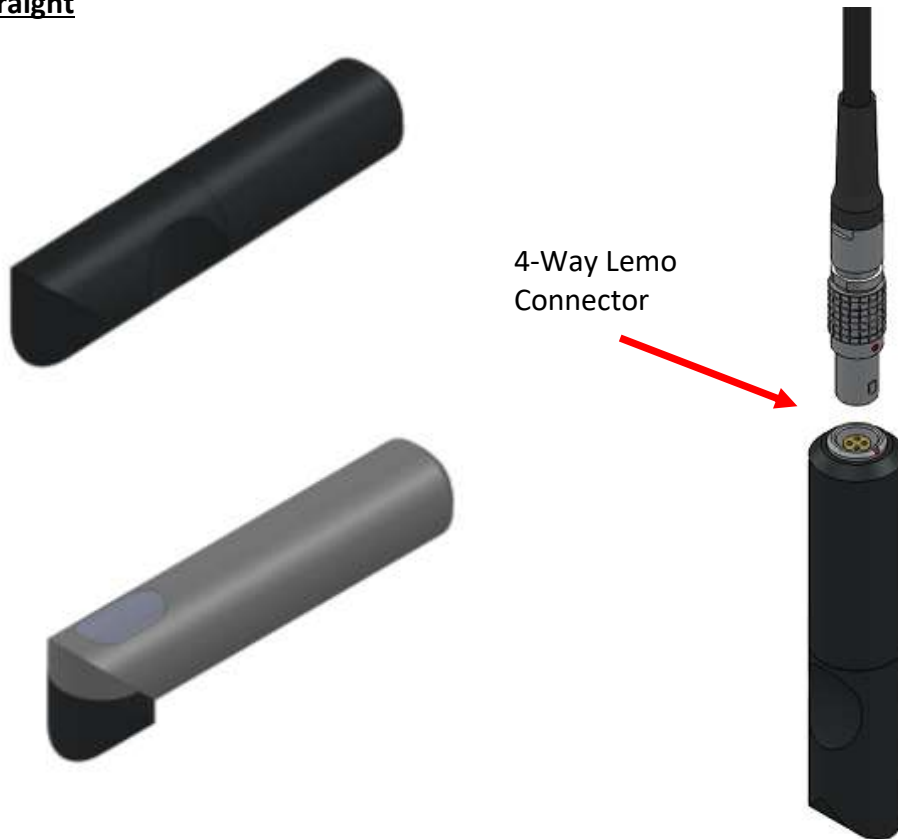
Probe, Weld, Dia. 11.0mm (Small), 100kHz, Straight, 1.5m Cable, Lemo 12-Way.

Other options available on request.



## *Disconnect Weld Probes - Bridge*

### Straight



### Notes:

- A full range of disconnectable weld probes available for quick interchange.
- Simply select “000” to probe part number as shown on weld probe coding system on previous page.

### Example Probe Coding:

ETHer NDE Part No.	Description	Frequency	Configuration
<b>Probe, Unshielded, Broad Band</b>			
<b>PWS100S000</b>	Probe, Weld, Small (11.00mm), Straight, Disconnect	100kHz (60kHz - 2.5MHz)	Bridge – Lemo 4-Way
<b>PWM100S000</b>	Probe, Weld, Medium (16.00mm), Straight, Disconnect	100kHz (60kHz - 1.2MHz)	Bridge – Lemo 4-Way
<b>PWL100S000</b>	Probe, Weld, Large (32.00mm), Straight, Disconnect	100kHz (60kHz- 700kHz)	Bridge – Lemo 4-Way

### Leads to fit above probes:

ETHer NDE Part No.	Description	Instrument	Connector Instrument End	Connector Probe End	Cable Length	Configuration
<b>ALFTRI-L04-015</b>	Lead	Victor/Veritor	Fischer Triax	Lemo 4-Way Plug	1.5m	Bridge
<b>ALL12-L04-015B</b>	Lead	WeldCheck/ AeroCheck/ Vantage/ETi/ Hocking	Lemo 12-Way	Lemo 4-Way Plug	1.5m	Bridge
<b>ALL07-L04-015B</b>	Lead	Hocking	Lemo 7-Way	Lemo 4-Way Plug	1.5m	Bridge

## ***Under Water Weld Probes - Bridge***



**Application:**

- Under water In-service inspection of welded structures, max length 100 meters.

**Probe Coding:**

ETHer NDE Part No.	Description	Frequency	Type
<b>PWM100S500L12W</b>	Probe, Weld, Medium, Dia 16.00, 100kHz, Straight, 50m Cable, Lemo 12-Way, Water Proof	100kHz	Bridge
<b>PWM100S500J6W</b>	Probe, Weld, Medium, Dia 16.00, 100kHz, Straight, 50m Cable, Jaeger 6-Way, Water Proof	100kHz	Bridge
<b>PWL100S500L12W</b>	Probe, Weld, Large, Dia 32.00, 100kHz, Straight, 50m Cable, Lemo 12-Way, Water Proof	100kHz	Bridge
<b>PWL100S500J6W</b>	Probe, Weld, Large, Dia 32.00, 100kHz, Straight, 50m Cable, Jaeger 6-Way, Water Proof	100kHz	Bridge
<b>PWM100S1000L12W</b>	Probe, Weld, Medium, Dia 16.00, 100kHz, Straight, 100m Cable, Lemo 12-Way, Water Proof	100kHz	Bridge
<b>PWM100S1000J6W</b>	Probe, Weld, Medium, Dia 16.00, 100kHz, Straight, 100m Cable, Jaeger 6-Way, Water Proof	100kHz	Bridge
<b>PWL100S1000L12W</b>	Probe, Weld, Large, Dia 32.00, 100kHz, Straight, 100m Cable, Lemo 12-Way, Water Proof	100kHz	Bridge
<b>PWL100S1000J6W</b>	Probe, Weld, Large, Dia 32.00, 100kHz, Straight, 100m Cable, Jaeger 6-Way, Water Proof	100kHz	Bridge

Other options available on request.

## ***High Temp Ceramic Tipped Weld Probes - Bridge***

**Straight**

**90deg Inline**

**90deg Transverse**



### **Application:**

- In-service inspection of welded structures, works to a touch temperature of 200degC.
- Simply add a "C" to the end of a standard probe part number as shown on page 34.

Example: PWS100S015L12C  
Part Number: Probe, Weld, Dia. 11.0mm (Small), 100kHz, Straight,  
1.5m Cable, Lemo 12-Way, Ceramic Tip, (High Temp)

## ***Stainless Steel Tipped Weld Probes - Bridge***

**Straight**

**90deg Inline**

**90deg Transverse**



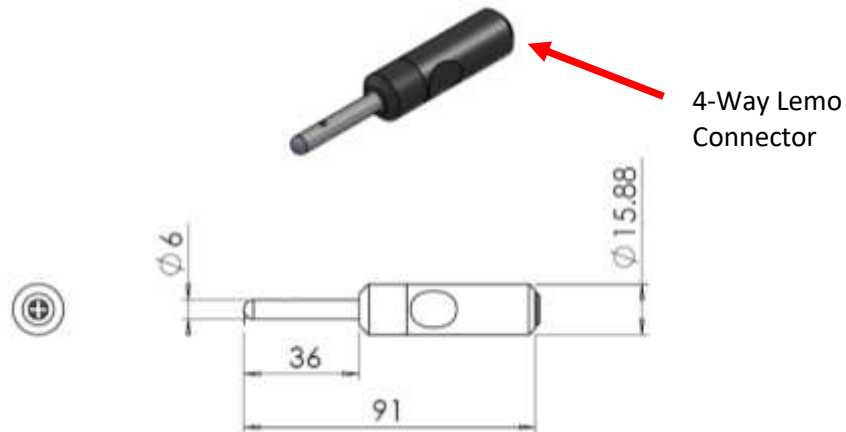
### **Application:**

- In-service inspection of welded structures, with high wear resistance.
- Simply add a "S" to the end of a standard probe part number as shown on page 34, also available in disconnect options.

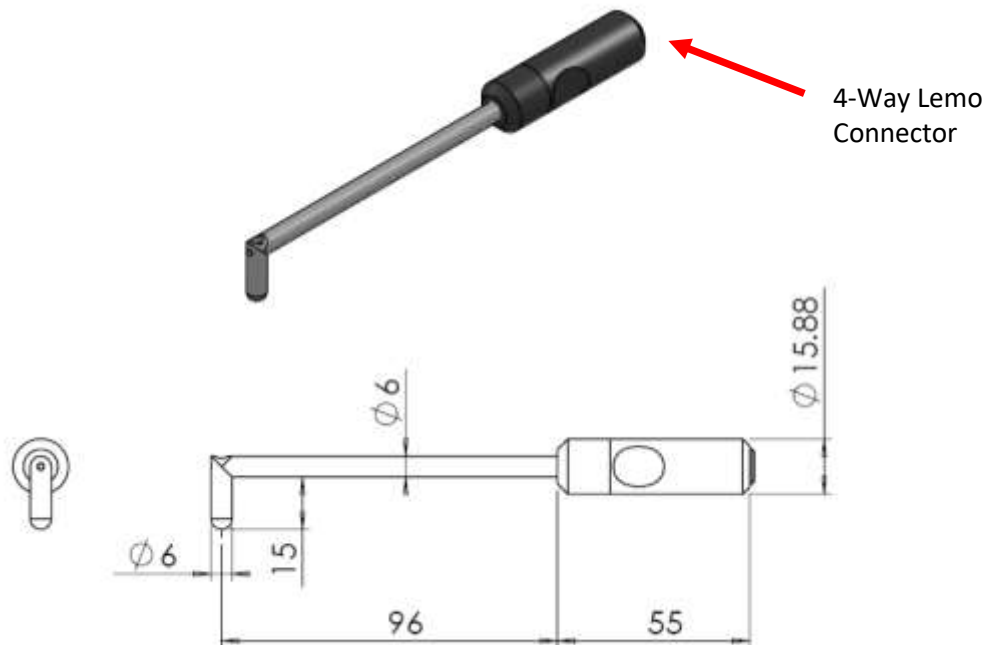
Example: PWS100S015L12S  
Part Number: Probe, Weld, Dia. 11.0mm (Small), 100kHz, Straight,  
1.5m Cable, Lemo 12-Way, St Steel Tip

## Miniature Weld Probes - Bridge

### Straight – PW002



### 90deg Inline – PW001



### Application:

- In-service inspection of welded structures, 100kHz, for those hard to reach/confined space inspection areas.

### Leads to fit above probes:

ETHer NDE Part No.	Description	Instrument	Connector Instrument End	Connector Probe End	Cable Length	Configuration
<b>ALFTRI-L04-015</b>	Lead	Victor/Veritor	Fischer Triax	Lemo 4-Way Plug	1.5m	Bridge
<b>ALL12-L04-015B</b>	Lead	WeldCheck/ AeroCheck/ Vantage/ETi/ Hocking	Lemo 12-Way	Lemo 4-Way Plug	1.5m	Bridge
<b>ALL07-L04-015B</b>	Lead	Hocking	Lemo 7-Way	Lemo 4-Way Plug	1.5m	Bridge

## Weld Probe Kits



### Weld Probe Standard Kit to fit WeldCheck/AeroCheck Range:

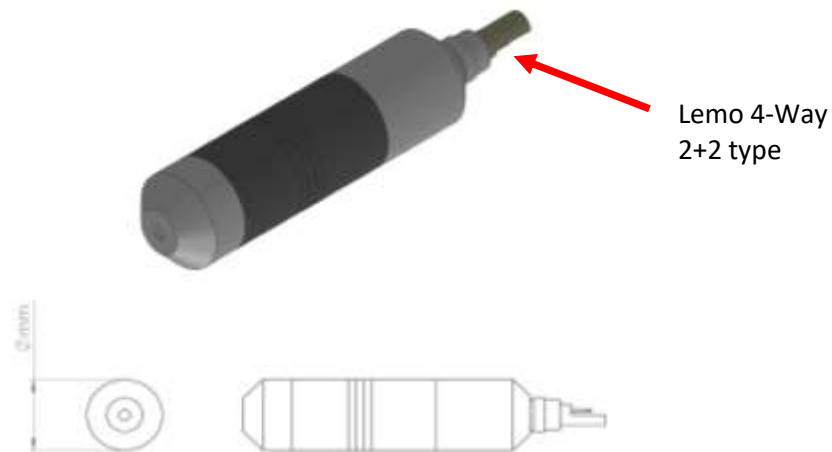
ETHer NDE Part No.	Description
<b>Kit Part Number: KAWEL001</b>	
<b>Includes:</b>	
<b>PWM100S00</b>	Probe, Weld, Dia 16.00mm (Medium) 100kHz, Straight, Disconnect
<b>PUB100k</b>	Probe, Unshielded, Broad Band, 100k (35kHz-250kHz), BNC
<b>ATBW</b>	Accessory, Test Block, Weld Probe, Ferrous (Steel EN1A) + 4 x 0.5mm Shims, 0.5, 1.0, 2.0mm slots
<b>ALL12-L04-015B</b>	Accessory, Lead, Lemo 12-Way - Lemo 4-Way, 1.5m (Bridge)
<b>ALLCX-B02-015A</b>	Accessory, Lead. Lemo 00 to BNC, 1.5m (Vantage)
<b>AW003</b>	Accessory, Butterfly PTFE Tape (Pack of 30)
<b>AC002</b>	Accessory, Deluxe Probe Case PHDC1



### Weld Probe Advanced Kit to fit WeldCheck/AeroCheck Range:

ETHer NDE Part No.	Description
<b>Kit Part Number: KAWEL002</b>	
<b>Includes:</b>	
<b>PWS100S000</b>	Probe, Weld, Dia 11.00mm (Small) 100kHz, Straight, Disconnect
<b>PWM100M000</b>	Probe, Weld, Dia 16.00mm (Medium) 100kHz, Straight, Disconnect
<b>PUB100k</b>	Probe, Unshielded, Broad Band, 100k (35kHz-250kHz), BNC
<b>ATB016</b>	Test Block WeldCheck Demo Crack Specimen - Plate with two cracks, Type A and C - Toe and Cap Plates are 5" x5", 1/4" thick with false ground crown. Standard crack size 1/4" Long x 0.040" deep.
<b>ATBW</b>	Accessory, Test Block, Weld Probe, Ferrous (Steel EN1A) + 4 x 0.5mm Shims, 0.5, 1.0, 2.0mm slots
<b>ALL12-L04-015B</b>	Accessory, Lead, Lemo 12-Way - Lemo 4-Way, 1.5m (Bridge)
<b>ALLCX-B02-015A</b>	Accessory, Lead. Lemo 00 to BNC, 1.5m
<b>AW003</b>	Accessory, Butterfly PTFE Tape (Pack of 30)
<b>AC007</b>	Accessory, Hard Peli 1120 Carry Case

## Internal Diameter (ID) Probes - Bridge



### Application:

Differential ID probes - for internal diameter tube inspection, ideal for inspecting tubular heat exchangers.

### Specification:

- Probe diameters from 7.5 to 150mm, available in 0.1mm steps
- Dis-connectable and integral probe cables
- Cable lengths from 3.0 to 30 metres
- Frequency range from 2.7 kHz to 1MHz, centre frequencies 2.7, 10, 24, 76, 190, 400kHz.

### Notes:

When ordering ID probes allow 0.8 to 1.5mm less than the tube diameter, this should be good for typical tube condition and manufacturing tolerances. Where tolerances are poor allow for greater clearance, tape can be used were necessary to reduce probe 'wobble'.

## ID Probe Coding System

PID212L20R24k

PI	Probe Internal Diameter
<b>D</b>	<b>Differential (Bridge)</b>
091	Dia 9.1mm
212	Dia 21.2mm
D	Disconnectable (Standard - For probes diameters between 11.5mm and 55.0mm)
E	Disconnectable (For probes diameters above 55.0mm)
J	Jaeger 6-Way
L	Lemo 12-Way
M	Lemo 7-Way
N	Lemo 16-Way
Z	4-way Amphenol
03	3.0m Cable
05	5.0m Cable
10	10.0m Cable
20	20.0m Cable (Standard)
30	30.0m Cable
00	Disconnect
<b>F</b>	<b>Flexible</b>
<b>R</b>	<b>Rigid Push/Pull (The minimum size of Rigid integral ID probes is 8.5mm; probes below this size require a flexible integral cable)</b>
2.7k	2k7
10k	10kHz
24k	24kHz
190k	190kHz
400k	400kHz

Example Part Number: PID212L20R24k

Description: Probe, Internal Diameter, Differential, Dia 21.2mm, Lemo 12-Way, 20 meters, Rigid Push/Pull, 24kHz

Other options available on request.

## ID Dis-connectable Cable Coding System

CIDL20R

CI Cable Internal Diameter

D Differential (Bridge)

J Jaeger 6-Way

L Lemo 12-Way

M Lemo 7-Way

Z 4-way Amphenol

03 3.0m Cable

05 5.0m Cable

10 10.0m Cable

20 20.0m Cable (Standard)

30 30.0m Cable

F Flexible

R Rigid Push/Pull

(Only For probes diameters above 55.0mm add a

E on the end)

Example Part Number: CIDL20R

Description: Cable, Internal Diameter, Differential, Lemo 12-Way, 20 meters, Rigid Push/Pull.

Other options available on request.



Rigid Push/Pull



Lemo 4-Way  
2+2 type



Flexible



## Standard Heat Exchanger Tube Sizes:

### Recommended ID probe diameters for different tube sizes:

These sizes are chosen to give a probe diameter between 0.8 and 1.5mm less than the tube internal diameter, more clearance being allowed for larger diameters. This should be acceptable for typical conditions of tube condition and manufacturing tolerances. If these are particularly poor then a greater clearance (ie. smaller probe size) should be chosen, with tape being used as necessary to reduce probe “wobble”. With tube in “as manufactured” condition larger probe size may be possible.

The table shows the calculated internal diameter of the tube, and the suggested probe size.

The following limitations apply:

- The minimum size for detachable ID probes is 11.5mm; probes below this require integral cables
- Detachable ID probe diameters over 55.0mm must be of the selections code type E
- The minimum size of Rigid integral ID probes is 8.5mm; probes below this size require a flexible integral cable

O/D	½"	5/8"	¾"	7/8"	1"	1 1/8"
T	12.7mm	15.88mm	19.05mm	22.23mm	25.4mm	28.58mm
12 BWG 2.77mm	7.16	10.34	13.51	16.69	19.86	23.04
13 BWG 2.41mm	7.88	11.06	14.13	17.41	20.58	23.76
14 BWG 2.11mm	8.48	11.65	14.83	18.01	21.18	24.36
15 BWG 1.83mm	9.04	12.22	15.39	18.57	21.74	24.92
16 BWG 1.65mm	9.4	12.58	15.75	18.93	22.1	25.28
17 BWG 1.47mm	9.76	12.94	16.11	19.29	22.46	25.64
18 BWG 1.24mm	10.22	13.40	16.57	19.75	22.92	26.1
19 BWG 1.07mm	10.56	13.74	16.91	20.09	23.26	26.44
20 BWG 0.89mm	10.92	14.1	17.27	20.45	23.62	26.8
21 BWG 0.81mm	11.09	14.26	17.43	20.61	23.78	26.96
22 BWG 0.71mm	11.28	14.46	17.63	20.81	22.98	27.16

### ID Probe Frequency Table:

Quick estimation of test frequency in kHz for given tube material and wall thickness

BWG thou. Inch mm	24 022 0.56	22 028 0.71	20 035 0.89	-- 040 1.02	18 049 1.24	-- 060 1.24	16 065 1.65	-- 080 2.00	14 083 2.11	12 109 2.77	10 134 3.40
Titanium 6A1-4V 1.1% IACS	1500	930	592	470	305	208	170	117	105	61	41
Inconel 600 1.67% IACS	985	613	390	309	200	137	115	77	69	40	27
304 Stainless 2.5% IACS	660	410	260	206	134	92	76	52	46	27	18
Titanium 3.6% IACS	460	285	181	143	93	63	53	36	32	19	12
70/30 Copper Nickel 5.0% IACS	330	205	130	103	67	46	38	26	23	14	9
90/10 Copper Nickel 11.9% IACS	140	86	55	43	28	19	16	10.8	9.7	5.6	3.8
Aluminium Bronze 13% IACS	126	79	50	40	26	18	15	9.9	8.9	5.2	3.4
Admiralty Brass 25% IACS	66	41	26	21	13	9.2	7.6	5.2	4.6	2.7	1.8
Brass (70/30 Cu-ZN) 28% IACS	59	36	23	18	12	8.2	6.8	4.6	4.1	2.4	1.6
Brass (85/15) 37% IACS	44	28	17	14	9	6.2	5.1	3.5	3.1	1.8	1.2
Brass (95/5) 55% IACS	30	19	12	9.4	6.1	4.2	3.4	2.4	2.1	1.2	0.8
Copper 100% IACS	16	10	6.5	5.2	3.4	2.3	1.9	1.3	1.2	0.7	0.5

## ***Spot Face Low Frequency Probes***



### **Application:**

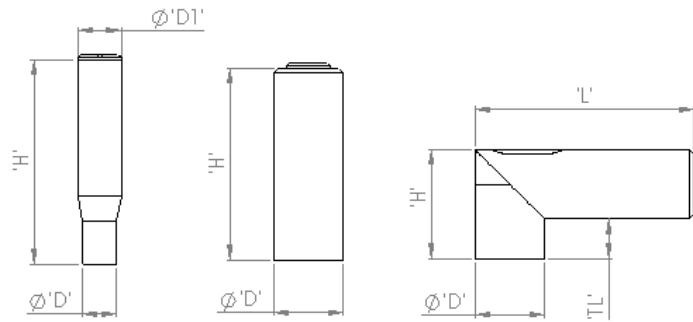
Reflection sub surface probes - for general purpose inspection of sub-surface corrosion and flaws. This probe has excellent depth penetration making it ideal for multi-layer inspections.

### **Specification:**

- Broad frequency ranges
- Excellent low frequency performance
- Integrated 4-way Lemo connector
- Built in balance coils
- Right angled probes are intrinsically balanced

### **Notes:**

The lower the frequency the deeper the depth of penetration.



	'D' mm	'D1' mm	'H' mm	'L' mm	'TL' mm
Straight					
PUS07	7	10	47		
PUS08	8	10	47		
PUS11	11		44		
PUS13	13		44		
PUS16	16		44		
PUS24	24		57		
PUS32	32		59		
Right Angled					
PUR11	11		22.6	50	11.5
PUR13	13		21.5	50	8.15
PUR16	16		25	50	9.11
PUR24	24		33.80	58	10.10

### Probe Coding:

ETHer NDE Part No.	Description	Ø	Body Material	Frequency Range	Connector
<b>Probe, Surface, Straight</b>					
<b>PUS07</b>	Probe, Surface, Straight,	7mm	St Steel	1kHz – 100kHz	Lemo 4-Way
<b>PUS08</b>	Probe, Surface, Straight,	8mm	St Steel	1kHz – 100kHz	Lemo 4-Way
<b>PUS11</b>	Probe, Surface, Straight,	11mm	Acetal	300Hz – 100kHz	Lemo 4-Way
<b>PUS13</b>	Probe, Surface, Straight,	13mm	Acetal	200Hz – 200kHz	Lemo 4-Way
<b>PUS16</b>	Probe, Surface, Straight,	16mm	Acetal	300Hz – 100kHz	Lemo 4-Way
<b>PUS24</b>	Probe, Surface, Straight,	24mm	Acetal	80Hz – 60kHz	Lemo 4-Way
<b>PUS32</b>	Probe, Surface, Straight,	32mm	Acetal	80Hz – 60kHz	Lemo 4-Way

ETHer NDE Part No.	Description	Ø	Body Material	Frequency Range	Connector
<b>Probe, Surface, Right Angled</b>					
<b>PUR11</b>	Probe, Surface, Right Angled,	11mm	Acetal	300Hz – 200kHz	Lemo 4-Way
<b>PUR13</b>	Probe, Surface, Right Angled,	13mm	Acetal	200Hz – 200kHz	Lemo 4-Way
<b>PUR16</b>	Probe, Surface, Right Angled,	16mm	Acetal	300Hz – 100kHz	Lemo 4-Way
<b>PUR24</b>	Probe, Surface, Right Angled,	24mm	Acetal	80Hz – 60kHz	Lemo 4-Way

### Leads to fit above probes:

ETHer NDE Part No.	Description	Instrument	Connector Instrument End	Connector Probe End	Cable Length	Configuration
<b>ALL12-L04-015R</b>	Lead	WeldCheck/ AeroCheck/ ETi/ Hocking	Lemo 12-Way	Lemo 4-Way	1.5m	Reflection
<b>ALL07-L04-015R</b>	Lead	Hocking	Lemo 7-Way	Lemo 4-Way	1.5m	Reflection
<b>ALJ06-L04-015R</b>	Lead	Hocking	Jaeger 6-Way	Lemo 4-Way	1.5m	Reflection

## Flat Surface Probes



### Application:

Absolute metal sorting and general surface probes – low profile so ideal for those tight inspection areas.

### Specification:

- Broad frequency ranges
- Integral 1.5m cable
- Built in load
- Low profile

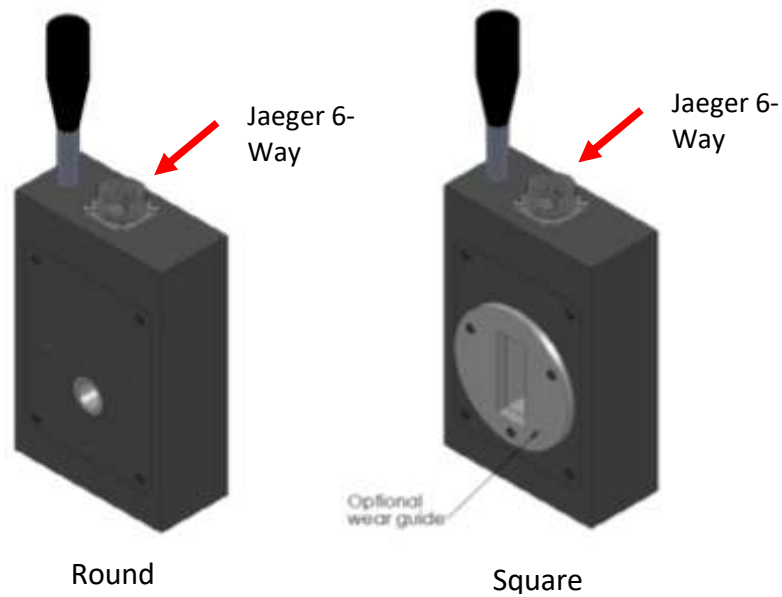
### Notes:

The built in load reduces thermal effect.

### Probe Coding:

ETher NDE Part No.	Description	Ø	Frequency Range	Inductance (µH)	Connector
<b>Probe, Surface, Flat</b>					***
<b>PUF127-001-010-***</b>	Probe, Surface, Flat	12.7	1.5kHz – 10kHz	3900	Add: L07 for Lemo 7Way
<b>PUF127-005-040-***</b>	Probe, Surface, Flat	12.7	5kHz - 40kHz	560	
<b>PUF127-050-400-***</b>	Probe, Surface, Flat	12.7	50kHz – 400kHz	56	L12 for Lemo 12Way
<b>PUF127-250-02M-***</b>	Probe, Surface, Flat	12.7	250kHz – 2MHz	12	
<b>PUF127-500-06M-***</b>	Probe, Surface, Flat	12.7	500kHz – 6MHz	5.6	J06 for Jaeger 6-Way
<b>PUF190-001-010-***</b>	Probe, Surface, Flat	19	1.5kHz – 10kHz	3900	
<b>PUF190-005-040-***</b>	Probe, Surface, Flat	19	5kHz-40kHz	560	
<b>PUF190-050-400-***</b>	Probe, Surface, Flat	19	50kHz – 400kHz	56	
<b>PUF190-250-02M-***</b>	Probe, Surface, Flat	19	250kHz – 2MHz	12	

## Large Encircling Probes



### Application:

Absolute – Reflection and Differential - Reflection encircling probes - for use with in-line or off-line high-speed inspection of tubes, wires, bars, etc.

Absolute – Reflection probes ideal for metal sorting, wall thinning and Heat Treatment Applications.

Differential – Reflection probes ideal for defect detection applications, such as cracks and pitting.

**Round** Encircling Probes used to Inspect - Round Bar, Round Tube, Wire, Metal Sorting Applications, Heat Treatment Applications

**Square** Encircling Probes used to Inspect - Square Bar, Square Tube, Box Section, Metal Sorting Applications and Heat Treatment Applications

### Specification:

- Broad frequency range
- Additional wear guides can be added to standard probes, to increase wear resistance, these can be made in PET or St Steel
- Fitted with a Rapid series 12-Way Jaeger connector for quick connection and de coupling

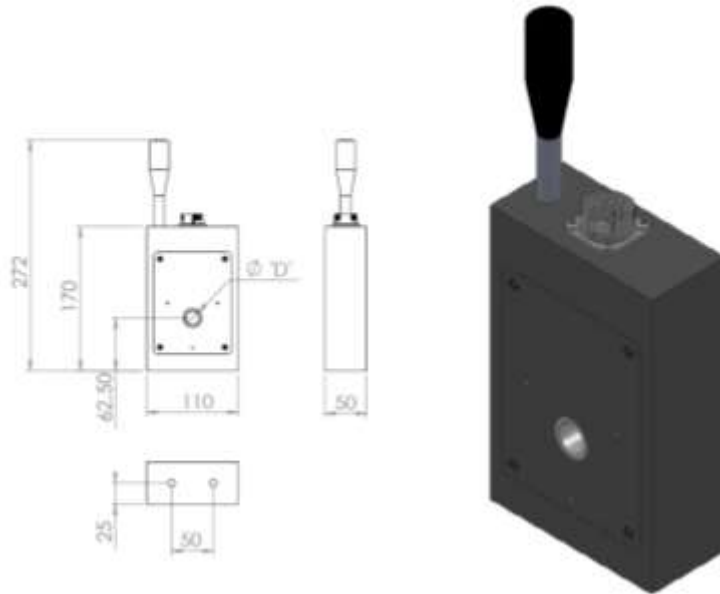
### Notes:

**Probes are manufactured to the size ordered. Please take into account the amount of clearance needed based on the part to be inspected. If unsure, please ask.**

Probes are made to order due to the large variety of configuration available.

**Probe Coding:**

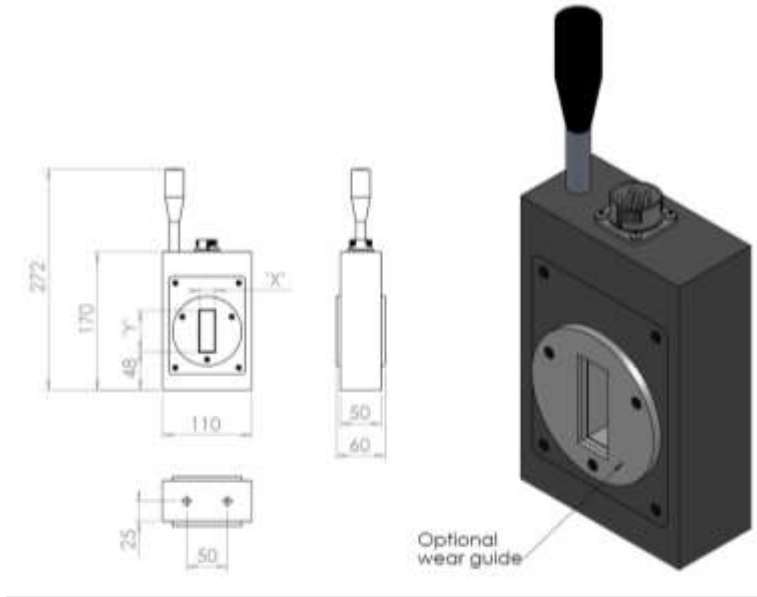
**Round Encircling Probes and Wear Guides**



**Probes are manufactured to the size ordered. Please take into account the amount of clearance needed based on the part to be inspected. If unsure, please ask.**

ETher NDE Part No.	Description	Ø	Frequency	Type
<b>Examples (full range available):</b>				
<b>Probe, Encircling, Round, Dia xxx, Absolute Reflection, Frequency xxx</b>				
<b>PER127A010</b>	Probe, Encircling, Round	12.7	10kHz	Absolute - Reflection
<b>PER180A100</b>	Probe, Encircling, Round	18.0	100kHz	Absolute - Reflection
<b>Probe, Encircling, Round, Dia xxx, Differential - Reflection, Frequency 1-500kHz</b>				
<b>PER127D</b>	Probe, Encircling, Round	12.7	1kHz – 500kHz	Differential - Reflection
<b>PER180D</b>	Probe, Encircling, Round	18.0	1kHz – 500kHz	Differential - Reflection
<b>Accessory, Encircling, Round, Wear Guide, PET/St Steel, Dia xxx,</b>				
<b>AERGP127</b>	Accessory, Encircling, Round, Guide, PET	12.7	Standard - PET (Ertalyte) Guides – A bearing plastic with excellent wear resistance.	
<b>AERGP180</b>	Accessory, Encircling, Round, Guide, PET	18.0		
<b>AERGS127</b>	Accessory, Encircling, Round, Guide, St Steel	12.7	St Steel Guides – For very high wear resistance and high mechanical strength.	
<b>AERGS180</b>	Accessory, Encircling, Round, Guide, St Steel	18.0		

## Square Encircling Probes and Wear Guides



Probes are manufactured to the size ordered please take in account the amount of clearance needed based on the part to be inspected, if unsure please ask.

## Round Encircling Probes and Wear Guides

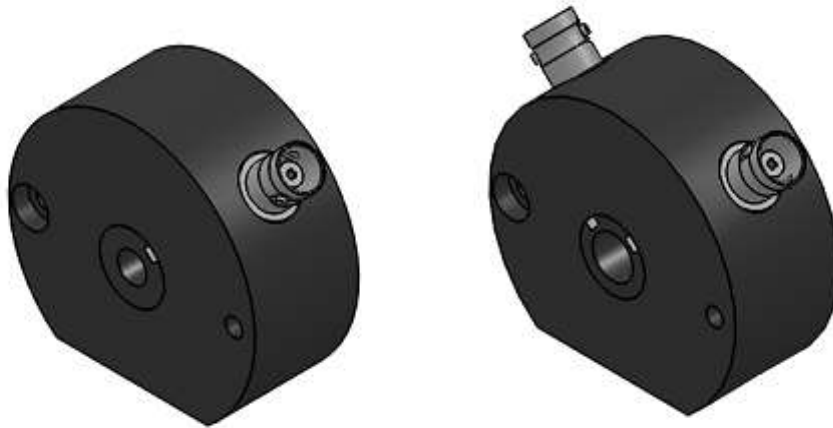
ETHer NDE Part No.	Description	'X' - 'Y'	Frequency	Type
<b>Examples (full range available):</b>				
<b>Probe, Encircling, Square, X= xxx - Y= xxx, Absolute Reflection, Frequency xxx</b>				
<b>PES190-190A010</b>	Probe, Encircling, Square	19.0 – 19.0	10kHz	Absolute - Reflection
<b>PES180-500A100</b>	Probe, Encircling, Square	18.0 – 50.0	100kHz	Absolute - Reflection
<b>Probe, Encircling, Square, X= xxx - Y= xxx, Differential - Reflection, Frequency 1-500kHz</b>				
<b>PES190-190D</b>	Probe, Encircling, Square	19.0 – 19.0	1kHz – 500kHz	Differential - Reflection
<b>PES180-500D</b>	Probe, Encircling, Square	18.0 – 50.0	1kHz – 500kHz	Differential - Reflection
<b>Accessory, Encircling, Square, Wear Guide, PET/St Steel, X= xxx - Y= xxx</b>				
<b>AESGP190-190</b>	Accessory, Encircling, Square, Guide, PET	19.0 – 19.0	Standard - PET (Ertalyte) Guides – A bearing plastic with excellent wear resistance.	
<b>AESGP180-500</b>	Accessory, Encircling, Square, Guide, PET	18.0 – 50.0		
<b>AESGS190-190</b>	Accessory, Encircling, Square, Guide, St Steel	19.0 – 19.0	St Steel Guides – For very high wear resistance and high mechanical strength.	
<b>AESGS180-500</b>	Accessory, Encircling, Square, Guide, St Steel	18.0 – 50.0		



**Leads to fit above probes:**

<b>ETHer NDE Part No.</b>	<b>Description</b>	<b>Instrument</b>	<b>Connector Instrument End</b>	<b>Connector Probe End</b>	<b>Cable Length</b>	<b>Configurati on</b>
<b>ALL12-J12-020AR</b>	Lead	WeldCheck/ AeroCheck/ Vantage/ETi/ Hocking	Lemo 12-Way	Jaeger 12-Way	2.0m	Absolute - Reflection
<b>ALL07-J12-020AR</b>	Lead	Hocking	Lemo 7-Way	Jaeger 12-Way	2.0m	Absolute - Reflection
<b>ALJ06-J12-020AR</b>	Lead	Hocking	Jaeger 6-Way	Jaeger 12-Way	2.0m	Absolute - Reflection
<b>ALL12-J12-020DR</b>	Lead	WeldCheck/ AeroCheck/ ETi/Hocking	Lemo 12-Way	Jaeger 12-Way	2.0m	Differential - Reflection
<b>ALL07-J12-020DR</b>	Lead	Hocking	Lemo 7-Way	Jaeger 12-Way	2.0m	Differential - Reflection
<b>ALJ06-J12-020DR</b>	Lead	Hocking	Jaeger 6-Way	Jaeger 12-Way	2.0m	Differential - Reflection

## Small Encircling Probes



**Absolute**

**Differential (Bridge)**

### Application:

Absolute/Differential encircling Coil - for the inspection of tube, bar and wire. Used for the detection of surface breaking cracks and material sorting.

### Probe Coding:

Examples, more available on request:

ETher NDE Part No.	Description	Ømm	Frequency Range
<b>Probe, Encircling</b>			
<b>PEA050</b>	Probe, Encircling Coil, Absolute, Dia 5.0mm	5.0	5-50kHz
<b>PEA071</b>	Probe, Encircling Coil, Absolute, Dia 5.0mm	7.1	5-50kHz
<b>PED050</b>	Probe, Encircling Coil, Differential, Dia 5.0mm	5.0	5-50kHz
<b>PED100</b>	Probe, Encircling Coil, Differential, Dia 5.0mm	10.0	5-50kHz

### Leads to fit above probes:

ETher NDE Part No.	Description	Instrument	Connector Instrument End	Connector Probe End	Cable Length	Configuration
<b>ALLCX-B02-015A</b>	Lead	ETHer	Lemo OO	BNC Plug	1.5m	Absolute
<b>ALL12-B02-B02-015B</b>	Lead	ETHer	Lemo 12-Way	X2 BNC Plugs	1.5m	Bridge

## VeeScan Probes – Bridge



### Application:

For use with the VeeScan EC wheel inspection system, for detecting surface breaking cracks in wheels. The circular absolute probe is positioned perpendicular to the surface to ensure uniform sensitivity regardless of wheel surface profile as the probe progresses through the wheel bead seat area.

### Specification:

Bridge connected absolute (integral balance load) with circular head. Recommended Frequency 200kHz option 100kHz, 500kHz and 1.5 MHz. Recommended diameter 6mm (9mm also available and narrow shaft for large wheels)



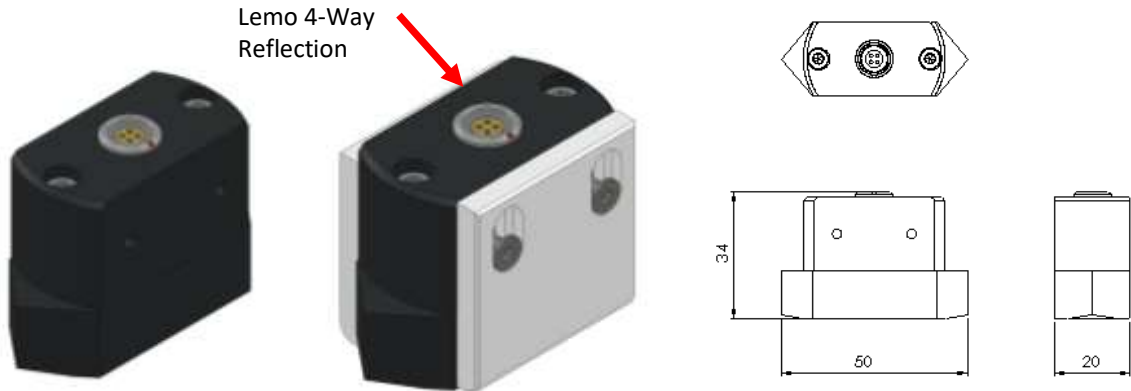
### Probe Coding:

Part Number	Frequency	'D' Diameter	'A' Diameter	'B' Diameter	'X' Length	'Y' Length	Description
PA06-100B	100k	1/4" (6mm)	4.0	6.35	172	257	Probe, VeeScan, Head Dia 6mm, 100kHz
PA06-200B	200k	1/4" (6mm)	4.0	6.35	172	257	Probe, VeeScan, Head Dia 6mm, 200kHz
PA06-500B	500k	1/4" (6mm)	4.0	6.35	172	257	Probe, VeeScan, Head, Dia 6mm, 500kHz
PA06-002B	2.0M	1/4" (6mm)	4.0	6.35	172	257	Probe, VeeScan, Head, Dia 6mm, 2MHz
PA06-100FB	100k	1/4" (6mm)	4.0	6.35	122	207	Probe, VeeScan, Head Dia 6mm, 100kHz, Fine Shaft
PA06-200FB	200k	1/4" (6mm)	4.0	6.35	122	207	Probe, VeeScan, Head Dia 6mm, 200kHz, Fine Shaft
PA06-500FB	500k	1/4" (6mm)	4.0	6.35	122	207	Probe, VeeScan, Head, Dia 6mm, 500kHz, Fine Shaft
PA06-002FB	2.0M	1/4" (6mm)	4.0	6.35	122	207	Probe, VeeScan, Head, Dia 6mm, 2MHz, Fine Shaft
Part Number	Frequency	'D' Diameter	'A' Diameter	'B' Diameter	'X' Length	'Y' Length	Description
PA09-100B	100k	3/8" (9mm)	6.35	6.35	172	257	Probe, VeeScan, Head Dia 9mm, 100kHz
PA09-200B	200k	3/8" (9mm)	6.35	6.35	172	257	Probe, VeeScan, Head Dia 9mm, 200kHz
PA09-500B	500k	3/8" (9mm)	6.35	6.35	172	257	Probe, VeeScan, Head, Dia 9mm, 500kHz
PA09-002B	2.0M	3/8" (9mm)	6.35	6.35	172	257	Probe, VeeScan, Head, Dia 9mm, 2MHz
PA09-100FB	100k	3/8" (9mm)	6.35	6.35	122	207	Probe, VeeScan, Head Dia 9mm, 100kHz, Fine Shaft
PA09-200FB	200k	3/8" (9mm)	6.35	6.35	122	207	Probe, VeeScan, Head Dia 9mm, 200kHz, Fine Shaft
PA09-500FB	500k	3/8" (9mm)	6.35	6.35	122	207	Probe, VeeScan, Head, Dia 9mm, 500kHz, Fine Shaft
PA09-002FB	2.0M	3/8" (9mm)	6.35	6.35	122	207	Probe, VeeScan, Head, Dia 9mm, 2MHz, Fine Shaft

- Simply remove the "B" from the end of the above part numbers for Absolute versions used on the Hocking WheelScan.

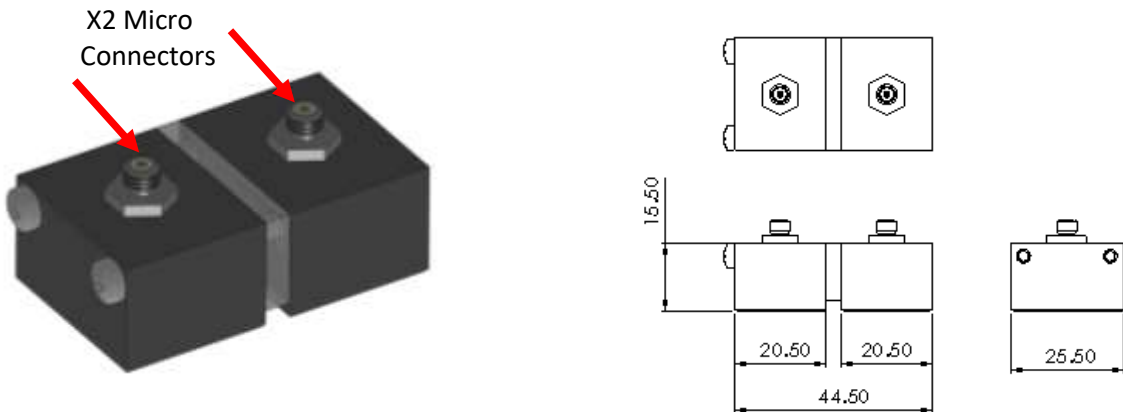
## Sliding Probes – Dual Element

### PFS001 - Dual element sliding probe



Optional  
Guide - P/N: 40090

### PFS002 - Dual element sliding probe



#### Application:

Typically used on aircraft wings (and on other similar structures) to detect cracks and corrosion on or near the surface around fasteners and in deeper layers under the skins. The above probes either slide along or over rows of fasteners.

#### Probe Coding:

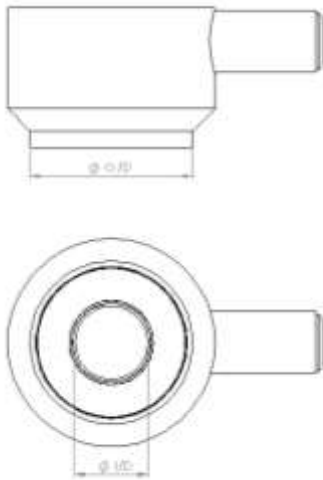
**PFS001** - Dual element sliding probe - Reflection - Lemo 4-Way - contains a transmit and receive element - 400Hz-50kHz - used on fastener head sizes 1mm and below.

**PFS002** - Dual element sliding probe - Tx, Rx - contains a transmit and receive element - 100Hz-500kHz - Comes with 1.5, 2.5 and 3.5mm wide Lens.

#### Leads to fit above probes:

ETHer NDE Part No.	Description	Instrument	Connector Instrument End	Connector Probe End	Cable Length	Configuration
<b>ALL12-L04-015R</b>	Lead	WeldCheck/ AeroCheck/ Vantage/ETi/ Hocking	Lemo 12-Way	Lemo 4-Way	1.5m	Reflection
<b>ALL12-M02-M02-015AR</b>	Lead	WeldCheck/ AeroCheck/ Vantage/ETi/ Hocking	Lemo 12-Way	X2 micro Plug	1.5m	Transmit & Receive

## Low Frequency Fastener Inspection Probes



### Application:

Typically used on aircraft wings (and on other similar structures) to detect cracks and corrosion around fasteners without requiring removal of the fastener.

### Probe Coding:

ETHer NDE Part No.	Frequency Range	I/D Diameter	Description
<b>PD0516</b>	250Hz-40kHz	5	Probe, Ring, (Donut) 250Hz - 40kHz, I/D 5mm O/D 16mm
<b>PD0619</b>	500Hz - 40kHz	6	Probe, Ring, (Donut) 500Hz - 40kHz, I/D 6mm O/D 19mm
<b>PD06719</b>	250Hz-40kHz	6.7	Probe, Ring, (Donut) 250Hz - 40kHz, I/D 6.7mm O/D 19mm
<b>PD0822</b>	250Hz-40kHz	8	Probe, Ring, (Donut) 250Hz - 40kHz, I/D 8mm O/D 22mm
<b>PD08419</b>	250Hz-40kHz	8.4	Probe, Ring, (Donut) 250Hz - 40kHz, I/D 8.4mm O/D 19mm
<b>PD0922</b>	250Hz-40kHz	9	Probe, Ring, (Donut) 250Hz - 40kHz, I/D 09mm O/D 22mm
<b>PD09719</b>	250Hz-40kHz	9.7	Probe, Ring, (Donut) 250Hz - 40kHz, I/D 9.7mm O/D 19mm
<b>PD1022</b>	250Hz-40kHz	10	Probe, Ring, (Donut) 250Hz - 40kHz, I/D 10mm O/D 22mm
<b>PD1122</b>	250Hz-40kHz	11	Probe, Ring, (Donut) 250Hz - 40kHz, I/D 11mm O/D 22mm
<b>PD1225</b>	80Hz-50kHz	12	Probe, Ring, (Donut) 80Hz - 50kHz, I/D 12mm O/D 25mm
<b>PD1329</b>	80Hz-50kHz	13	Probe, Ring, (Donut) 80Hz - 50kHz, I/D 13mm O/D 29mm
<b>PD1332</b>	80Hz-50kHz	13	Probe, Ring, (Donut) 80Hz - 50kHz, I/D 13mm O/D 32mm
<b>PD1429</b>	80Hz-50kHz	14	Probe, Ring, (Donut) 80Hz - 50kHz, I/D 14mm O/D 29mm
<b>PD1531</b>	80Hz-50kHz	15	Probe, Ring, (Donut) 80Hz - 50kHz, I/D 15mm O/D 31mm
<b>PD1629</b>	80Hz-50kHz	16	Probe, Ring, (Donut) 80Hz - 50kHz, I/D 16mm O/D 29mm
<b>PD1640</b>	80Hz-50kHz	16	Probe, Ring, (Donut) 80Hz - 50kHz, I/D 16mm O/D 40mm
<b>PD2038</b>	80Hz-50kHz	20	Probe, Ring, (Donut) 80Hz - 50kHz, I/D 20mm O/D 38mm
<b>PD2844</b>	80Hz-50kHz	28	Probe, Ring, (Donut) 80Hz - 50kHz, I/D 28mm O/D 52mm

### Leads to fit above probes:

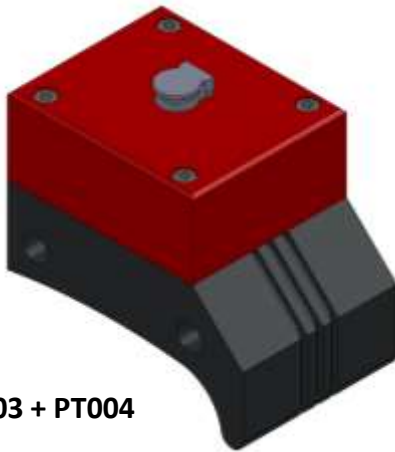
ETHer NDE Part No.	Description	Instrument	Connector Instrument End	Connector Probe End	Cable Length	Configuration
<b>ALL12-L04-015R</b>	Lead	WeldCheck/ AeroCheck/ ETi	Lemo 12-Way	Lemo 4-Way	1.5m	Reflection

## Rail Inspection Probes

**PT001**



**PT003 + PT004**



**PT010**



**Application:**

Detecting surface breaking cracks in rail and rolling stock.

**Probe Coding:**

ETHer NDE Part No.	Frequency Range	Description
<b>PT001</b>	20kHz-500kHz	Probe, WideScan, Flat General Purpose, Single Coil, Reflection, 20kHz to 500kHz, Lemo 4-Way
<b>PT003</b>	20kHz-500kHz	Probe, WideScan, Rail Head RT-1, 50mm Wide, Single Coil, Reflection, 20kHz to 500kHz, Lemo 4-Way Socket
<b>PT004</b>	20kHz-500kHz	Probe, WideScan, Rail Head RT-1, 50mm Wide, Dual Coil, Reflection, 20kHz to 500kHz, x2 Lemo 4-Way Sockets
<b>PT010</b>	20kHz-500kHz	Probe, WideScan, Flat, 3.5" wide x 1" long x 1" tall, Reflection, 20kHz to 500kHz, Lemo Water Tight 4-Way socket

**Leads to fit above probes:**

ETHer NDE Part No.	Description	Instrument	Connector Instrument End	Connector Probe End	Cable Length	Configuration
<b>ALL12-L04-015R</b>	Lead	WeldCheck/ AeroCheck/ ETi	Lemo 12-Way	Lemo 4-Way	1.5m	Reflection

## ***SigmaCheck Conductivity Probe***

**PSIG001A – Dia 13.00mm – Operating Frequency 60, 120, 240 and 480kHz**

**PSIG002A – Dia 8.00mm – Operating Frequency 60, 120, 240 and 480kHz**



### **Application:**

For use with the SigmaCheck eddy current conductivity meter, conductivity is widely used to indicate material type and determine the state of heat treatment. In order to give accurate readings the SigmaCheck uses a three-point reference method. The first measurement with the probe in the air and then two further measurements are required which span the range of interest. The SigmaCheck is supplied with a detachable reference piece with two standards that span the range of commonly used metals.

### **Part Number:**

ETHer NDE Part No.	Description	Instrument
<b>PSIG001A</b>	Probe, Conductivity, 60,120,240 and 480kHz, Dia 13.00mm, Straight, Lemo 5-Way	SigmaCheck2
<b>PSIG002A</b>	Probe, Conductivity, 60,120,240 and 480kHz, Dia 8.00mm, Straight, Lemo 5-Way	SigmaCheck2

Note: Each probe is supplied with an SD card, which holds the probes characteristics; this is then inserted into the SigmaCheck being used.

### **Leads to fit above probes:**

ETHer NDE Part No.	Description	Instrument
<b>ALL05-L05-012-SIGA</b>	Accessory, Lead, 5-Way Lemo to 5-Way Lemo, 1.2m (SigmaCheck2)	SigmaCheck2

## AeroCheck+ Conductivity Probe

Lemo 7-Way

Probe: PCON001

Will only work on an AeroCheck+ with lead ALL12-L07-007-CON



### Application:

For use with the AeroCheck+ eddy current conductivity meter. The probe has an internal memory that stores the probe characteristics for calculating conductivity. Only one test frequency can be applied to a probe.

### Part Number:

ETHer NDE Part No.	Description
PCON001	Probe, Conductivity, 60kHz, Dia 13.00mm, Straight, Lemo 7-Way (AeroCheck Plus)

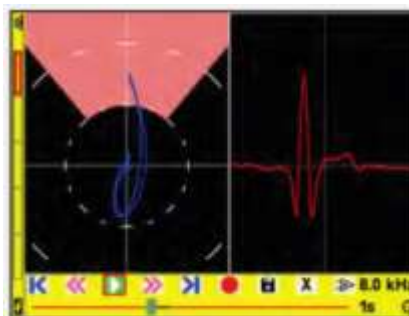
### Leads to fit above probes:

ETHer NDE Part No.	Description
ALL12-L07-007-CON	# Accessory, Lead, 12-Way Lemo to 7-Way Lemo, 0.7m, Conductivity (To fit AeroCheck Plus Conductivity Probe)



## Rotating Drive

### ARD002 – Small Rotating Drive



#### Application:

Eddy current rotary inspections of fastener holes and countersinks are performed routinely in the Aircraft Maintenance Industry and now the method is also being used increasingly in the power generation industry for the inspection of bolt-holes on wind turbines. High-speed surface inspection is also another area of increasing usage.

- Hole Inspection
- Countersink Inspection
- Surface Inspection

The **Mercury Rotary Drive** is perfect for tight spaces and is designed and manufactured in-house. It uses our standard rotating probe range as shown on page 30.

The Mercury Rotary Drive is compatible with:

- AeroCheck
- Vantage G2
- ETi-200
- Hocking Phasec 2 & 3
- Industry Standard 4 Pin Fischer Rotary Probes

#### Part Number:

ETHer NDE Part No.	Description	Specification
<b>ARD002</b>	Accessory, Rotating Drive, Small, Lemo 12-Way. (MERCURY)	Rotation Speed - 3000, 2700, 2400, 2100, 1800, 1500, 1200, 1020, 840 and 600 rpm Dimensions - Height: 80.9mm, Width: 25mm, Length: 34.5mm Weight – 300grams

#### Leads to fit above probes:

ETHer NDE Part No.	Description	Instrument
<b>ALL12-L12-020M</b>	Accessory, Lead, Lemo 12-Way - Lemo 12-Way, 2.0m (Rotating Drive)	AeroCheck/Vantage G2/ETi/Hocking

## Test Blocks

### General Purpose with Slots



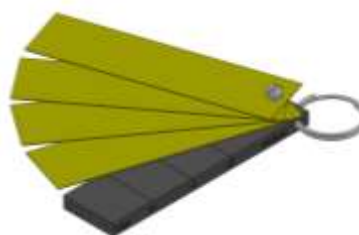
#### Application:

Test blocks – general purpose with 0.2 (0.008”), 0.5 (0.020”) and 1.0mm (0.040”) slots to enable correct calibration.

#### Test Block Coding:

ETHer NDE Part No.	Description	Material
<b>Accessory, Test Block,</b>		
<b>ATBF</b>	Accessory. Test Block, Ferrous (Steel EN1A), 0.2, 0.5, 1.0mm slots	<b>Ferrous (Steel EN1A)</b>
<b>ATBA</b>	Accessory. Test Block, Aluminium Alloy 7075-T6, 0.2, 0.5, 1.0mm slots	<b>Aluminium Alloy 7075-T6</b>
<b>ATBT</b>	Accessory. Test Block, Titanium 6A14V, 0.2, 0.5, 1.0mm slots	<b>Titanium 6A14V</b>
<b>ATBS</b>	Accessory. Test Block, Stainless Steel 304, 0.2, 0.5, 1.0mm slots (AUSTENITIC)	<b>Stainless Steel</b>
<b>ATBS316</b>	Accessory. Test Block, Stainless Steel 316, 0.2, 0.5, 1.0mm slots	<b>Stainless Steel 316</b>

### Weld Probe Test Block



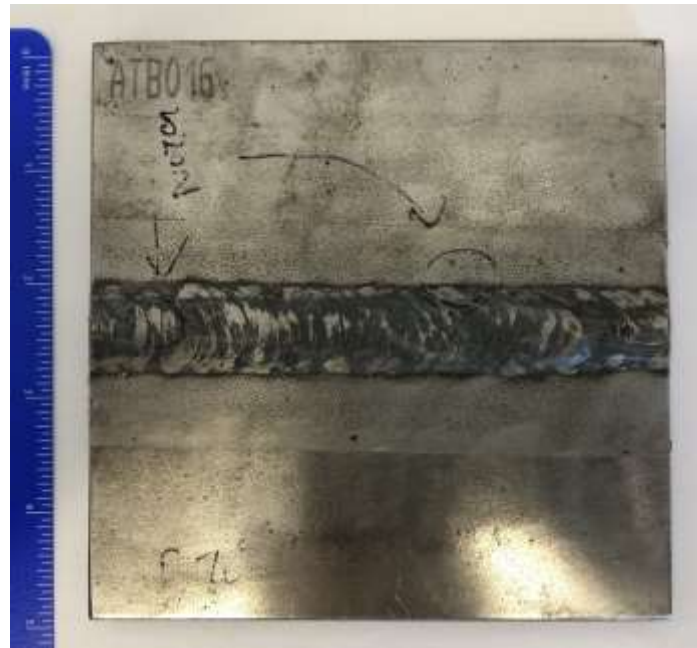
#### Application:

Weld probe test block – coating thickness calibration standard with 0.5 (0.02”), 1.0 (0.04”) and 2.0mm (0.08”) slots including 4 x 0.5mm (0.02”) shims, used in conjunction with broad band (paint) probe PUB100k to set sensitivity levels before weld inspection.

#### Test Block Coding:

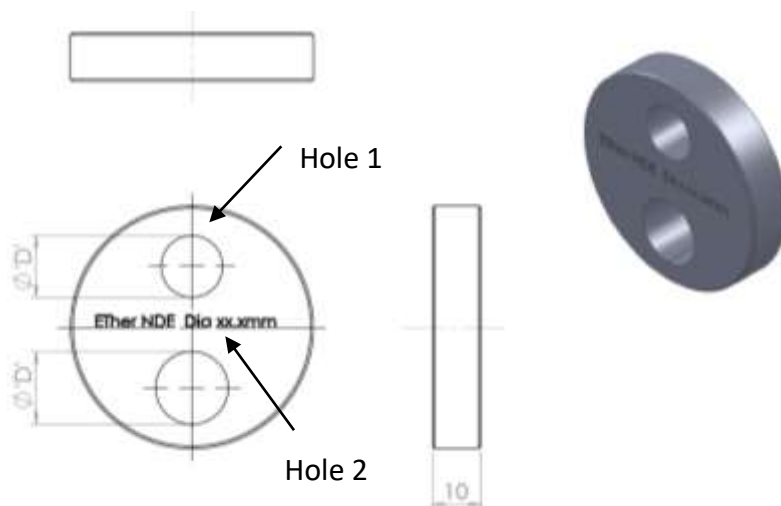
ETHer NDE Part No.	Description	Material
<b>ATBW</b>	Accessory. Test Block, Weld Probe, Ferrous (Steel EN1A) + 4 x 0.5mm Shims, 0.5, 1.0, 2.0mm slots	<b>Ferrous (Steel EN1A) + 4 x 0.5mm Shims</b>
<b>ATBWDUP</b>	Accessory. Test Block, Weld Probe, Duplex, 2205 4 x 0.5mm Shims, 0.5, 1.0, 2.0mm slots	<b>Duplex + 4 x 0.5mm Shims</b>

## Weld Probe Demo Crack Specimen



ETher NDE Part No.	Description
<b>ATB016</b>	Test Block WeldCheck Demo Crack Specimen - Plate with two cracks, Type A and C - Toe and Cap Plates are 5"x5", 1/4" thick with false ground crown. Standard crack size 1/4" Long x 0.040" deep.

## Rotating Probe Test Block



### Application:

Rotating probe test blocks – available in a number of materials with a large variety of defect types, used to enable correct calibration of rotating probes.

### Test Block Coding:

ETHer NDE Part No.	Description	Material	Hole Ø	Hole 1	Hole 2
<b>Accessory, Test Block, Rotating, Material Type (A, F, T or S), Hole Diameter (mm) xxx, Defect Type in Hole 2 X</b>					
<b>ATBRAxxxX</b>	Test Block, Rotating Probe	<b>Aluminium Alloy 7075-T6</b>	<b>Hole Ø</b> <b>xxx</b> <b>Example:</b> <b>12.7mm = 127</b>	Defect Free Hole	Defect Type <b>X</b>
<b>ATBRFxxxX</b>	Test Block, Rotating Probe	<b>Ferrous (Steel EN1A)</b>			(Standard) Side Drilled <b>H</b> ole (Ø 1mm)
<b>ATBRTxxxX</b>	Test Block, Rotating Probe	<b>Titanium 6A14V</b>			<b>C</b> orner Notch (0.030" x 0.030") <b>T</b> hrough Notch (0.020" deep x 0.004" Wide)

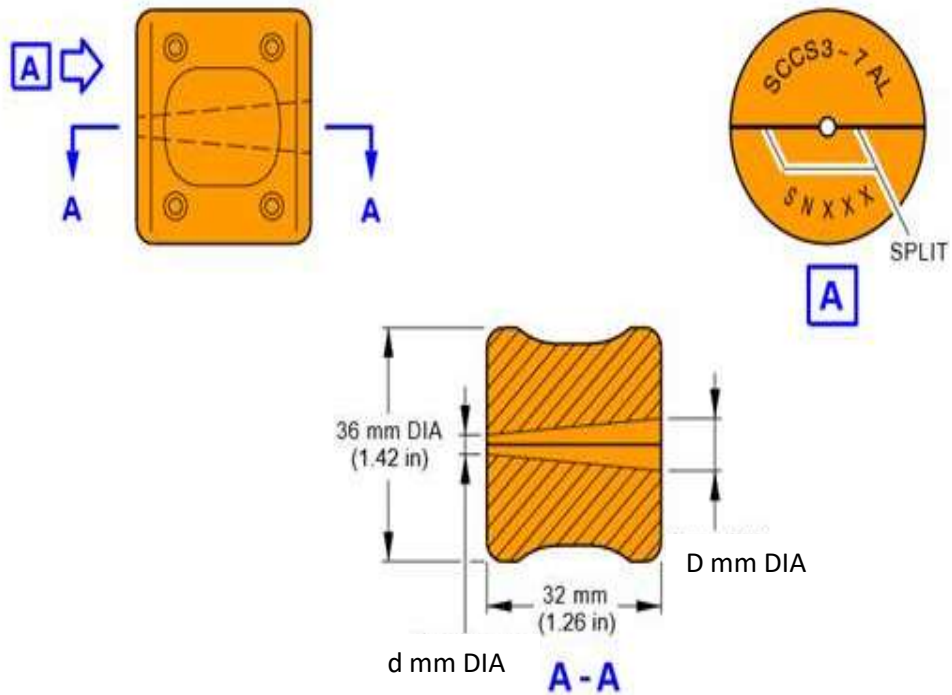
## Rotating Probe Test Blocks – Multi Hole



### Test Block Coding:

ETher NDE Part No.	Description	Material
<b>ATB005</b>	Accessory, Test Block, Rotating probe, Total 12 holes; Holes 3/16", 1/4", 5/16", 3/8", 7/16", 1/2" 6 sound holes and 6 holes with Flaws	Aluminium 7075-T6
<b>ATB004</b>	Accessory, Test Block, Large Rotating Probe, 1/8" up to 1" with 0.5mm side drilled holes + Slots 0.2, 0.5 and 1mm deep.	Aluminium 7075-T6

## Split Conical Calibration Blocks



### Application:

Used to calibrate eddy current rotating probes before inspection.

### Test Block Coding:

ETHer NDE Part No.	Description	Airbus Part Number	Dia d mm	Dia D mm
	<b>Titanium</b>			
<b>ATB-SC-T-03-07</b>	Accessory, Test Block, Split Conical, Titanium, 3-7mm	SCCS3-7TI	3	7
<b>ATB-SC-T-07-14</b>	Accessory, Test Block, Split Conical, Titanium, 7-14mm	SCCS7-14TI	7	14
<b>ATB-SC-T-14-21</b>	Accessory, Test Block, Split Conical, Titanium, 14-21mm	SCCS14-21TI	14	21
<b>ATB-SC-T-21-28</b>	Accessory, Test Block, Split Conical, Titanium, 21-28mm	SCCS21-28TI	21	28
<b>ATB-SC-T-28-40</b>	Accessory, Test Block, Split Conical, Titanium, 28-40mm	SCCS28-40TI	28	40
	<b>Aluminium</b>			
<b>ATB-SC-A-03-07</b>	Accessory, Test Block, Split Conical, Aluminium, 3-7mm	SCCS3-7AL	3	7
<b>ATB-SC-A-07-14</b>	Accessory, Test Block, Split Conical, Aluminium, 7-14mm	SCCS7-14AL	7	14
<b>ATB-SC-A-14-21</b>	Accessory, Test Block, Split Conical, Aluminium, 14-21mm	SCCS14-21AL	14	21
<b>ATB-SC-A-21-28</b>	Accessory, Test Block, Split Conical, Aluminium, 21-28mm	SCCS21-28AL	21	28
<b>ATB-SC-A-28-40</b>	Accessory, Test Block, Split Conical, Aluminium, 28-40mm	SCCS28-40AL	28	40
	<b>Ferrous</b>			
<b>ATB-SC-FE-03-07</b>	Accessory, Test Block, Split Conical, Ferrous, 3-7mm	SCCS3-7FE	3	7
<b>ATB-SC-FE-07-14</b>	Accessory, Test Block, Split Conical, Ferrous, 7-14mm	SCCS7-14FE	7	14
<b>ATB-SC-FE-14-21</b>	Accessory, Test Block, Split Conical, Ferrous, 14-21mm	SCCS14-21FE	14	21
<b>ATB-SC-FE-21-28</b>	Accessory, Test Block, Split Conical, Ferrous, 21-28mm	SCCS21-28FE	21	28
<b>ATB-SC-FE-28-40</b>	Accessory, Test Block, Split Conical, Ferrous, 28-40mm	SCCS28-40FE	28	40

## Surface Probe Test Block



### Test Block Coding:

ETHer NDE Part No.	Description	Material
<b>ATB001</b>	Accessory, Test Block, Aluminium 7075-T6, 1.6mm Thick, x4 Flat Bottom Holes 75%(1.2mm), 50%(0.8mm), 25%(0.4mm), 2.5%(0.2mm), Deep.	Aluminium 7075-T6

## Bond-Testing Pitch-Catch Probe Delrin Coupon



Top View



Bottom View

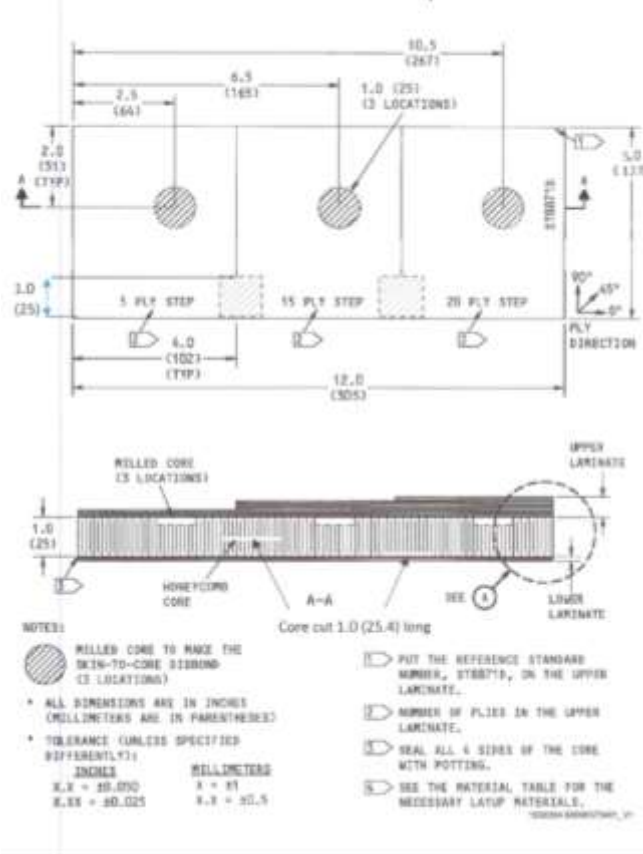
### Test Block Coding:

ETHer NDE Part No.	Description	Material
<b>ATB023</b>	Accessory, Test Block, Pitch-Catch Probes, Delrin Coupon	Delrin

## Bond Testing Modified Boeing ST8871D Composite Test Block



Modified ST8871D test coupon

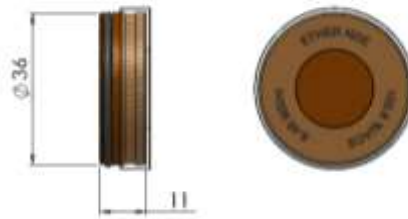


### Test Block Coding:

ETHer NDE Part No.	Description
<b>ATB022</b>	Accessory, Test Block, Composite, Modified Boeing ST8871D Composite Test Coupon (With x2 additional core cuts x1 Mid Layer and x1 Bottom Layer, each 25.4mm Long) - Not certified



## Conductivity Test Blocks



### Application:

Used as a reference in the application of electrical conductivity measurement of non-ferrous metals, ideal for both laboratory and field use. Blocks are supplied with calibration certificates.

### Calibration:

- Blocks are calibrated at 20degC, at a frequency of 60kHz
- The limits of permissible errors are  $\pm 1\%$ IACS of value for values of 35%IACS and lower,  $\pm 0.35\%$ IACS for measured values between 35%IACS and 62%IACS and  $\pm 1\%$ IACS for measured values 62%IACS and above.
- The conductivity of each reference standard is determined for the central area of diameter 15mm of front face by comparison with similar material, the conductivity of which has been determined in terms of traceable electrical standards.

### Test Block Coding:

ETHer NDE Part No.	Material	% IACS (Value Range)	Siemens/m (Value Range)
<b>ATBC-COPPER</b>	Copper	(99.9 - 102.5)	(57.9 - 59.5)
<b>ATBC-ALU1200</b>	Aluminium Alloy, 1200-H4	(57.2 - 60.5)	(33.2 - 35.1)
<b>ATBC-ALU6082</b>	Aluminium Alloy, 6082-T6	(45.1 - 49.0)	(26.2 - 28.4)
<b>ATBC-ALU6061</b>	Aluminium Alloy, 6061-T6	(40.5 - 45.0)	(23.4 - 26.1)
<b>ATBC-ALU2014A-T6</b>	Aluminium Alloy, 2014A-T6	(34.7 - 40.3)	(20.1 - 23.4)
<b>ATBC-ALU7075</b>	Aluminium Alloy, 7075-T6	(30.0 - 34.1)	(17.4 - 19.8)
<b>ATBC-ALU5083</b>	Aluminium Alloy, 5083	(26.6 - 30.0)	(15.4 - 17.4)
<b>ATBC-BRASS</b>	Brass, CZ 121	(23.3 - 26.6)	(13.5 - 15.4)
<b>ATBC-PBRONZE</b>	Phosphor Bronze	(13.0 - 18.0)	(7.5 - 10.4)
<b>ATBC-NICSILVER</b>	Nickel Silver, LC1291	(9.0 - 9.9)	(5.2 - 5.7)
<b>ATBC-STST303S</b>	Stainless Steel, 303 S	(2.1 - 2.5)	(1.2 - 1.4)
<b>ATBC-TITANIUM</b>	Titanium, 6AL-4V	(1.0 - 1.1)	(0.6 - 0.7)

### Note:

Conductivity values vary, for current stock values please contact [sales@ethernde.com](mailto:sales@ethernde.com). Precise values will be shown on each block.

**Other blocks available on request.**

## Probe Leads

**Notes:**

Leads come as standard in a 1.5m cable length, other lengths available on request.



**ETHer NDE WeldCheck, AeroCheck, Vantage G2, ETi (Lemo Coaxial/Lemo OO - Absolute):**

ETHer NDE Part No.	Description	Instrument	Connector Instrument End	Connector Probe End	Cable Length	Configuration
<b>ALLCX-M02-015A</b>	Lead	ETHer	Lemo OO	Micro Plug	1.5m	Absolute
<b>ALLCX-B02-015A</b>	Lead	ETHer	Lemo OO	BNC Plug	1.5m	Absolute

**ETHer NDE WeldCheck, AeroCheck, Vantage G2, ETi - Hocking Phasec2200/D60/D62, Phasec 3d, Phasec 2d, Phasec 2s, Locator 3, (Lemo 12-Way):**

ETHer NDE Part No.	Description	Instrument	Connector Instrument End	Connector Probe End	Cable Length	Configuration
<b>ALL12-L04-015R</b>	Lead	ETHer/Hocking	Lemo 12-Way	Lemo 4-Way	1.5m	Reflection
<b>ALL12-L04-015B</b>	Lead	ETHer/Hocking	Lemo 12-Way	Lemo 4-Way	1.5m	Bridge
<b>ALL12-M02-015A</b>	Lead	ETHer/Hocking	Lemo 12-Way	Micro Plug	1.5m	Absolute
<b>ALL12-B02-015A</b>	Lead	ETHer/Hocking	Lemo 12-Way	BNC Plug	1.5m	Absolute
<b>ALL12-B02-B02-015A</b>	Lead	ETHer/Hocking	Lemo 12-Way	BNC Plug x2	1.5m	Absolute
<b>ALL12-L05-015F</b>	Lead	ETHer/Hocking	Lemo 12-Way	Lemo 5-Way	1.5m	FastScan

**Hocking Phasec/Quick Check (Jaeger 6-Way):**

ETHer NDE Part No.	Description	Instrument	Connector Instrument End	Connector Probe End	Cable Length	Configuration
<b>ALJ06-L04-015R</b>	Lead	Hocking	Jaeger 6-Way	Lemo 4-Way	1.5m	Reflection
<b>ALJ06-L04-015B</b>	Lead	Hocking	Jaeger 6-Way	Lemo 4-Way	1.5m	Bridge

**BNC (Cable Type RG174):**

ETHer NDE Part No.	Description	Instrument	Connector Instrument End	Connector Probe End	Cable Length	Configuration
<b>ALB02-B02-015A</b>	Lead	Various	BNC Plug	BNC Plug	1.5m	Absolute
<b>ALB02-M02-015A</b>	Lead	Various	BNC Plug	Micro Plug	1.5m	Absolute

**Hocking Locator 2, Locator 2s (Lemo 7-Way):**

ETHer NDE Part No.	Description	Instrument	Connector Instrument End	Connector Probe End	Cable Length	Configuration
<b>ALL07-L04-015R</b>	Lead	Hocking	Lemo 7-Way	Lemo 4-Way	1.5m	Reflection
<b>ALL07-L04-015B</b>	Lead	Hocking	Lemo 7-Way	Lemo 4-Way	1.5m	Bridge
<b>ALL07-M02-015A</b>	Lead	Hocking	Lemo 7-Way	Micro Plug	1.5m	Absolute
<b>ALL07-B02-015A</b>	Lead	Hocking	Lemo 7-Way	BNC	1.5m	Absolute
<b>ALL07-B02-B02-015A</b>	Lead	Hocking	Lemo 7-Way	BNC Plug x2	1.5m	Absolute

## Probe Adapters

**Notes:**

Adapters come as standard in a 150mm length, other lengths available on request.



ETHer NDE Part No.	Description	Instrument	Connector Instrument End	Connector Probe End	Cable Length	Configuration
<b>AAL12P-L07S</b>	Adapter	ETHer/Hocking	Lemo 12-Way	Lemo 7-Way	150mm	All
<b>AAL12-J06P</b>	Adapter	ETHer/Hocking	Lemo 12-Way	Jaeger 6-Way	150mm	All
<b>AAL12-Z04SB</b>	Adapter	ETHer/Hocking	Lemo 12-Way	Amphenol	150mm	Bridge
<b>AAL12-Z04SR</b>	Adapter	ETHer/Hocking	Lemo 12-Way	Amphenol	150mm	Reflection
<b>AAL07P-L12S</b>	Adapter	Hocking	Lemo 7-Way	Lemo 12-Way	150mm	All

**AALCX-B02S** - Accessory, Adapter, Lemo 00 to BNC Jack (Short) (Lemo 00 to BNC)



**AAB02-LCXS** - Accessory, Adapter, BNC Socket to Lemo 00 Socket (Short) (BNC to Lemo 00)



**AAL12P-B02S** - Accessory, Adapter, 12-Way Lemo to BNC Socket (Fixed 61mm Long)



## ***Probe Tape***

### **Application:**

Used as probe tip protectors.

### **Probe Tape Coding:**

<b>ETHer NDE Part No.</b>	<b>Description</b>
<b>AW001</b>	PTFE Tape 7mm Wide x 1m
<b>AW003</b>	Butterfly PTFE Tape, pack of 30

## ***Balance Loads***

### **Application:**

Used with absolute probes on impedance plane instruments.

<b>ETHer NDE Part No.</b>	<b>Inductance</b>	<b>Frequency Range (50ohm)</b>	<b>Connector</b>
<b>ABAL006</b>	1.3uH	2MHz – 10MHz	BNC
<b>ABAL002</b>	8.2uH	350kHz – 3MHz	BNC
<b>ABAL500</b>	47uH	50kHz – 500kHz	BNC
<b>ABAL200</b>	120uH	20kHz – 200kHz	BNC



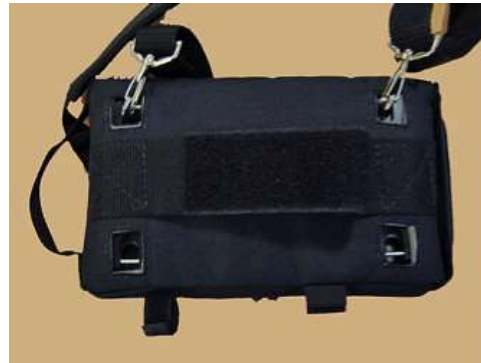
## *Probe and Instrument Cases*

### *Probe Case:*



ETHer NDE Part No.	Description
<b>AC002</b>	Accessory, Deluxe Probe Case PHDC1

### *Protective/Splash Proof Instrument Case:*



ETHer NDE Part No.	Description
<b>AWEL005</b>	Accessory, Instrument Soft Carry Case (To Fit: WeldCheck /AeroCheck)
<b>AAER004</b>	Accessory, Instrument Soft Carry Case (To Fit: WeldCheck2/WeldCheck+, AeroCheck2/AeroCheck+)

***Instrument Soft Carry Case:***



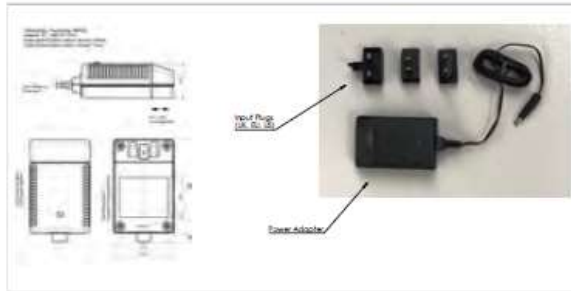
ETHer NDE Part No.	Description
<b>AC006</b>	Accessory, Instrument Soft Carry Case (To Fit: WeldCheck/AeroCheck/AeroCheck+)

***Instrument Hard Carry Case:***



ETHer NDE Part No.	Description
<b>AWEL004</b>	Accessory, Accessory, Hard Transit Case with Padded Dividers Internal Size 432 x 280 x 153mm (To Fit: WeldCheck – AeroCheck – AeroCheck+)

**Other Instrument Accessories:**



**AWEL002** AeroCheck, Power Adapter + Input Plugs (UK, EU, US & Australia)



**AWEL003** Adjustable Shoulder Strap, Padded with Quick-Release Clips



**AWEL008** Accessory, In-Car 12V Power Adapter (Weld/AeroCheck) (12V, 5.5 x 2.5mm Plug)



**AAER002** Accessory, PELIE STORM iM2300 Case with foam

## Probe Kits



### Weld Probe Kit to fit WeldCheck/AeroCheck Range:

ETHer NDE Part No.	Description
<b>Kit Part Number: KAWEL001</b>	
<b>Includes:</b>	
<b>PWM100S00</b>	Probe, Weld, Dia 16.00mm (Medium) 100kHz, Straight, Disconnect
<b>PUB100k</b>	Probe, Unshielded, Broad Band, 100k (35kHz-250kHz), BNC
<b>ATBW</b>	Accessory, Test Block, Weld Probe, Ferrous (Steel EN1A) + 4 x 0.5mm Shims, 0.5, 1.0, 2.0mm slots
<b>ALL12-L04-015B</b>	Accessory, Lead, Lemo 12-Way - Lemo 4-Way, 1.5m (Bridge)
<b>ALLCX-B02-015A</b>	Accessory, Lead. Lemo 00 to BNC, 1.5m (Vantage)
<b>AW003</b>	Accessory, Butterfly PTFE Tape (Pack of 30)
<b>AC002</b>	Accessory, Deluxe Probe Case PHDC1



### Weld Probe Advanced Kit to fit WeldCheck/AeroCheck Range:

ETHer NDE Part No.	Description
<b>Kit Part Number: KAWEL002</b>	
<b>Includes:</b>	
<b>PWS100S000</b>	Probe, Weld, Dia 11.00mm (Small) 100kHz, Straight, Disconnect
<b>PWM100M000</b>	Probe, Weld, Dia 16.00mm (Medium) 100kHz, Straight, Disconnect
<b>PUB100k</b>	Probe, Unshielded, Broad Band, 100k (35kHz-250kHz), BNC
<b>ATB016</b>	Test Block WeldCheck Demo Crack Specimen - Plate with two cracks, Type A and C - Toe and Cap Plates are 4" x4", 1/4" thick with false ground crown. Standard crack size 1/4" Long x 0.040" deep.
<b>ATBW</b>	Accessory, Test Block, Weld Probe, Ferrous (Steel EN1A) + 4 x 0.5mm Shims, 0.5, 1.0, 2.0mm slots
<b>ALL12-L04-015B</b>	Accessory, Lead, Lemo 12-Way - Lemo 4-Way, 1.5m (Bridge)
<b>ALLCX-B02-015A</b>	Accessory, Lead. Lemo 00 to BNC, 1.5m
<b>AW003</b>	Accessory, Butterfly PTFE Tape (Pack of 30)
<b>AC007</b>	Accessory, Hard Peli 1120 Carry Case



**Surface Probe Kit to fit WeldCheck/AeroCheck Range:**

ETHer NDE Part No.	Description
<b>Kit Part Number: KASUR001</b>	
<b>Includes:</b>	
<b>PU500PSFE/NFE</b>	Probe, Unshielded, 500kHz, Fe/NFe, Plastic Handle, Straight, 100mm Long
<b>PS002PS028-114N</b>	Probe, Shielded, 2MHz, Plastic Handle, Straight, 28mm Tip Length (Total Length 114mm, 4.5") (Straight Shank)
<b>PS500PD064-114N</b>	Probe, Shielded, 500kHz, Plastic Handle, Double Crank, 6.4 (0.25") Tip Length (Total Length 114mm, 4.5") (15deg Crank, 90deg tip Shank)
<b>PS002PD064-114N</b>	Probe, Shielded, 2MHz, Plastic Handle, Double Crank, 6.4 (0.25") Tip Length (Total Length 114mm, 4.5") (15deg Crank, 90deg tip Shank)
<b>PK065002NFE</b>	Probe, Knife, 65 deg, 2MHz, NFe, Unshielded
<b>ALLCX-M02-015A</b>	Accessory, Lead, Lemo 00 to Microdot, 1.5m (Vantage/ETi)
<b>ATBF</b>	Accessory, Test Block, Ferrous (Steel EN1A), 0.2, 0.5, 1.0mm slots
<b>ATBA</b>	Accessory, Test Block, Aluminium Alloy 7075-T6, 0.2, 0.5, 1.0mm slots
<b>AW003</b>	Accessory, Butterfly PTFE Tape (Pack of 30)
<b>AC002</b>	Accessory, Deluxe Probe Case PHDC1

**Sub Surface Probe Kit to fit WeldCheck/AeroCheck Range:**

ETHer NDE Part No.	Description
<b>Kit Part Number: KASUBS001</b>	
<b>Includes:</b>	
<b>PUS16</b>	Probe, Surface, Straight, Dia 16mm, 300Hz - 100KHz, Plastic, Lemo 4-Way
<b>PUR11</b>	Probe, Surface, Right Angled, Dia 11mm, 300Hz - 100KHz, Plastic, Lemo 4-Way
<b>ALL12-L04-015R</b>	Accessory, Lead, Lemo 12-Way - Lemo 4-Way, 1.5m (Reflection)
<b>ATB001</b>	Accessory, Test Block, Aluminium 7075-T6, 1.6mm Thick, x4 Flat Bottom Holes 75%(1.2mm), 50%(0.8mm), 25%(0.4mm), 12.5%(0.2mm), Deep.

**Rotary Drive Kit to fit AeroCheck – AeroCheck2 – AeroCheck+:**

ETHer NDE Part No.	Description
<b>Kit Part Number: KAROT001</b>	
<b>Includes:</b>	
<b>ARD002</b>	Accessory, Rotating Drive, Small, Lemo 12-Way. (MERCURY)
<b>ALL12-L12-020M</b>	Accessory, Lead, Lemo 12-Way - Lemo 12-Way, 2.0m (Rotating Drive)
<b>AC002</b>	Accessory, Deluxe Probe Case PHDC1

Lemo 7-Way

Probe: PCON001

Will only work on an  
AeroCheck+ with  
lead ALL12-L07-007-  
CON



***NIST Conductivity Probe Kit to fit WeldCheck+ – AeroCheck+:***

(Please note that this kit only works on a WeldCheck+ and AeroCheck+)

ETHer NDE Part No.	Description
<b>Kit Part Number: KACON001</b>	KIT, Conductivity Inspection - NIST - Std Dia 13mm Probe (To fit AeroCheck Plus)
<b>Includes:</b>	
<b>PCON001</b>	Probe, Conductivity, 60kHz, Dia 13.00mm, Straight, Lemo 7-Way (AeroCheck Plus)
<b>ASIG014</b>	Accessory, Dual Conductivity Reference Standards, Nominal Values 9% and 59% IACS (SigmaCheck) <b>NIST</b> VALUES
<b>ALL12-L07-012-CON</b>	Accessory, Lead, 12-Way Lemo to 7-Way Lemo, 1.2m, Conductivity (To fit AeroCheck Plus Conductivity Probe)
<b>40516</b>	SKIRT - Conductivity Probe (AeroCheck Plus)
<b>B3061S</b>	SCREW - M3 THUMB SCREW
<b>40517</b>	REFERENCE HOLDER - Dual Conductivity Standard (Thermal Bridge for Stability)
<b>APCON001</b>	QUICK REFERENCE CARD - GUIDE TO USING CONDUCTIVITY PROBE PCON001

***NPL Conductivity Probe Kit to fit WeldCheck+ – AeroCheck+:***

(Please note that this kit only works on a WeldCheck+ and AeroCheck+)

<b>ETHer NDE Part No.</b>	<b>Description</b>
<b>Kit Part Number: KACON002</b> - KIT, Conductivity Inspection - <b>NPL</b> - Std Dia 13mm Probe (To fit AeroCheck Plus)	
<b>Includes:</b>	
<b>PCON001</b>	Probe, Conductivity, 60kHz, Dia 13.00mm, Straight, Lemo 7-Way (AeroCheck Plus)
<b>ASIG015</b>	Accessory, Dual Conductivity Reference Standards, Nominal Values 9% and 59% IACS (SigmaCheck) <b>NPL</b> VALUES
<b>ALL12-L07-012-CON</b>	Accessory, Lead, 12-Way Lemo to 7-Way Lemo, 1.2m, Conductivity (To fit AeroCheck Plus Conductivity Probe)
<b>40516</b>	SKIRT - Conductivity Probe (AeroCheck Plus)
<b>B3061S</b>	SCREW - M3 THUMB SCREW
<b>40517</b>	REFERENCE HOLDER - Dual Conductivity Standard (Thermal Bridge for Stability)
<b>APCON001</b>	QUICK REFERENCE CARD - GUIDE TO USING CONDUCTIVITY PROBE PCON001

## ***ETher NDE Eddy Current Product Range and Features Explained***

Instrument	Kit Part Number	Frequency	Guides	Live Loop & Trace	Protective Boot & Integrated Strap	Record and replay of up to 2.5 minutes of data	32GB of removable Data Storage	Automatic Lift-Off Gain Compensation	C-Scan Capability	Motorised scanner control	Rotary	Conductivity	Bondtesting (Pitch Catch)
WeldCheck2	KIWEL003	Single	✓	✓	✓	✓	✓						
WeldCheck+	KIWEL002	Dual	✓	✓	✓	✓	✓	✓				✓	
AeroCheck2	KIAER003	Single	✓	✓	✓	✓	✓				✓		
AeroCheck+	KIAER002	Dual	✓	✓	✓	✓	✓				✓	✓	
ETHerCheck	KIETH001	Dual	✓	✓	✓	✓	✓				✓	✓	✓
PhaseCheck	KIPHAS001	Dual	✓	✓	✓	✓	✓		✓	✓	✓	✓	

**Guides** – allows the user to display a slide show that can be created easily with commonly used desktop software. The benefit of this feature is that instructions, tutorials and procedures for an inspection can be added to the instrument very quickly and the NDT inspector can easily switch between the inspection itself and the “Guides” while performing a live test.

**Loop** - is a convenient way of capturing a short live repetitive signal and then optimising the instrument settings through real time adjustments of the Phase, Gain, Balance, Filters and Display Configuration in order to simplify the task of optimising the parameters. The “Loop” function is excellent for calibration set up especially for setting the filters for Rotary and Dual Frequency mix.

**Trace** - The trace function allows a reference waveform to be stored on the screen and appears along with the graticule behind the live spot. This allows the operator to readily compare the live data with the reference calibration.

**Protective Boot & Integrated Strap** – has enhanced durability through a fully-fitted, custom-designed outer “protective boot” and integral hand-strap for even greater ruggedness and easier grip.





**Auto Lift-Off Gain Compensation** – Feature to add automatic paint thickness compensation using absolute and bridge mode simultaneously on the weld probe.

**Removable Storage** – microSD 2GB (500 saved settings, 500 screen shots) microSD 32GB (10,000 saved settings, 10, 000 screen shots).

**C-Scan and Motorised Scanner control** – The PhaseCheck offers 2 axis incremental encoder input and USB scanner control. This means that C-Scan Images can be recorded and the XY data stored for the image for post-test analysis.

**Splash Case** - Please note that the splash case for the new WeldCheck2, WeldCheck+, AeroCheck2, AeroCheck+ needs to be AAER004.

## ***Also Available***

-  Pencil Probes - Shielded Metal Handle
-  Turbine Blade Inspection Probes
-  Differential Scanning Probes
-  Special Probes

## ***Special Probe Design Check List***

### **1. Customer**

Name

Company

Address

Email

Phone

### **2. Flaw to be detected**

Flaw type

Material

Conductivity

Thickness

 Mm

Magnetic

Yes	No
-----	----

Test

Surface	Sub-surface
---------	-------------

Flaw Orientation

Random	Longitudinal	Transverse
--------	--------------	------------

Surface condition

Ground	Drawn	Machined	As cast	Roughness	Other >>	
--------	-------	----------	---------	-----------	----------	--

Defect Length

 mm

Defect Depth

 mm

Defect width

 mm

Depth of penetration

 mm

### **3. Instrument to be used**

### **4. Probe type**

Details of similar probe used

Changes Required

Operation Mode

Absolute	Differential	Bridge	Reflection
----------	--------------	--------	------------

Mode of use

Surface	ID (Bobbin)	OD	Weld	Saddle	Other >>	
---------	-------------	----	------	--------	----------	--

Detection width

 mm

Area to be inspected

Attach/Sketch drawing

Access Limitations

Attach/Sketch drawing

Adverse test environment

Temperature

--

C

Surface condition

Painted	Corrosion	Grease/Oil	Other >>	
---------	-----------	------------	----------	--

Sample components available

Yes	No
-----	----

With flaws


Yes
-----

Without flaws

No	Yes	No
----	-----	----

Available from;

ETher NDE,  
Endeavour House,  
Unit 18 Brick Knoll Park,  
St Albans,  
Hertfordshire,  
AL1 5UG.  
UK

 +44 (0) 01727 648050

 [sales@ethernde.com](mailto:sales@ethernde.com)

 [www.ethernde.com](http://www.ethernde.com)